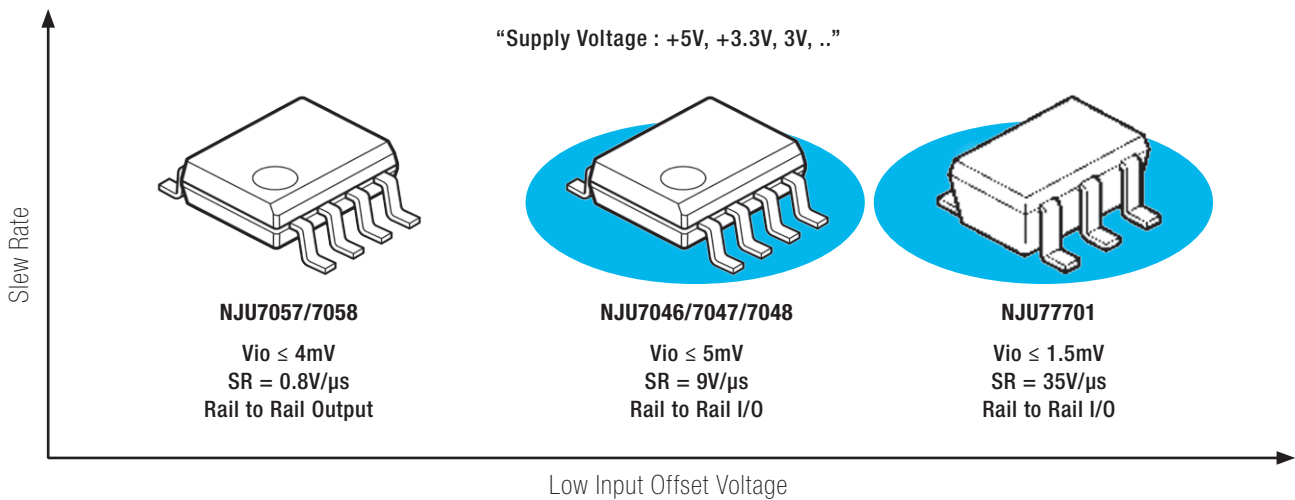
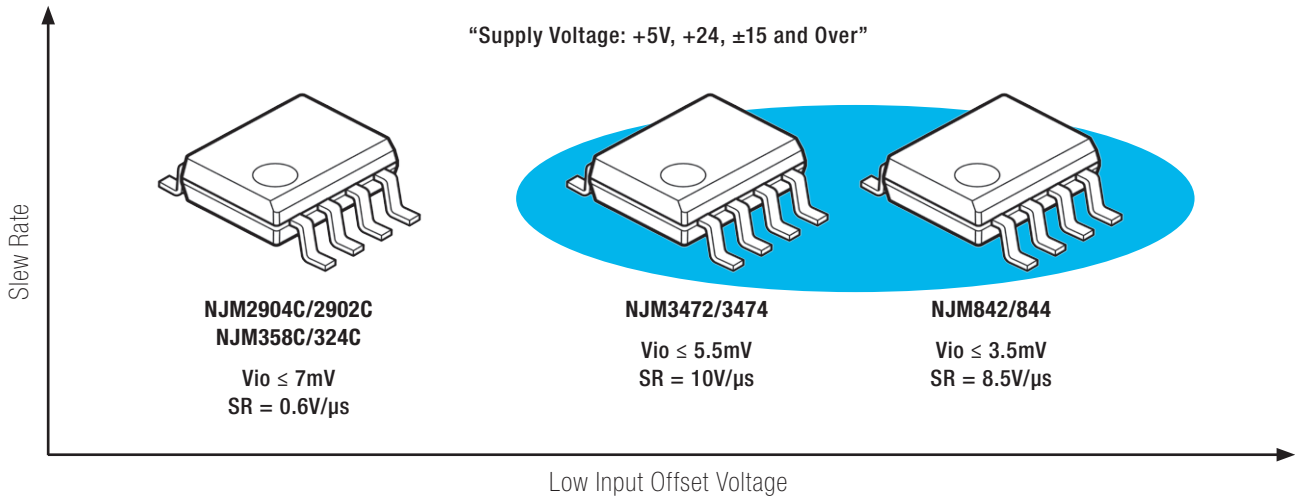
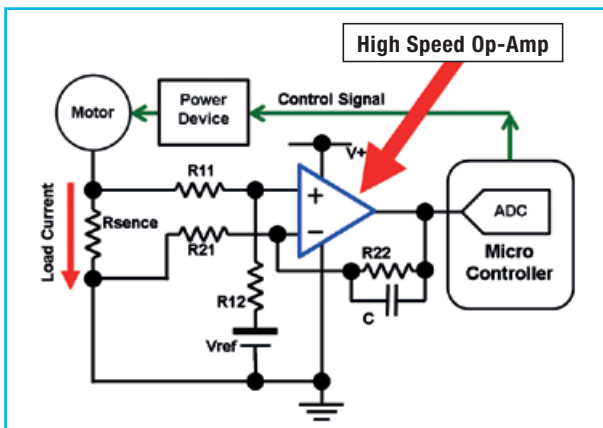


SINGLE SUPPLY HIGH-SPEED OP-AMP SERIES FOR HOME APPLIANCE, GENERAL PURPOSE INVERTER AND ETC.

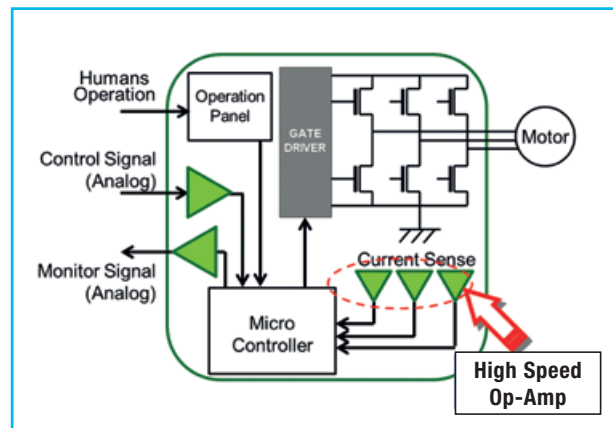
Line-up



Inverter Application



e.g.) Home Appliance



e.g.) General Purpose Inverter Unit

SINGLE SUPPLY HIGH-SPEED OP-AMP SERIES

Features / Electrical Characteristics

NJM3472, NJM3474 FEATURES

- High Slew Rate 10 V/μs typ.
- High Bandwidth 3 MHz typ.
- Input Offset Voltage 5.5 mV max..
- No Phase Reversal
- High EMI Immunity
- Operating Voltage +3 to +36 V
- Operating Temperature -40 °C to +125 °C
- Operating Current (All amplifiers)
 - NJM3472 4 mA typ.
 - NJM3474 8 mA typ.

NJM842, NJM844 FEATURES

- High Slew Rate 8.5 V/μs typ.
- High Bandwidth 3.5 MHz typ.
- Input Offset Voltage 3.5 mV max.
- No Phase Reversal
- High EMI Immunity
- Operating Voltage +3 to +36 V
- Operating Temperature -40 °C to +125 °C
- Operating Current (All amplifiers)
 - NJM842 4.3 mA typ.
 - NJM844 8.8 mA typ.

NJU7046, NJU7047, NJU7048 FEATURES

- High Slew Rate 9 V/μs typ.
- High Bandwidth 5 MHz typ.
- Input Offset Voltage 5 mV max.
- Rail-to-Rail In/Out
- High EMI Immunity
- Operating Voltage +2.7 to +5.5 V
- Operating Temperature -40 °C to +125 °C
- Operating Current (All amplifiers)
 - NJU7046 1.4 mA typ.
 - NJU7047 2.7 mA typ.
 - NJU7048 5.3 mA typ.

NJU77701 FEATURES

- High Slew Rate 35 V/μs typ.
- High Bandwidth 34 MHz typ.
- Input Offset Voltage 1.5 mV max.
- Rail-to-Rail In/Out
- High EMI Immunity
- Operating Voltage +2.4 to +5.5 V
- Operating Temperature -40 °C to +125 °C
- Operating Current (All amplifiers)
 - NJU77701 3.8 mA typ.

Pin Configuration / Package Information

Pin Function	(Top View)		(Top View)				(Top View)											
	OUTPUT	V ⁺	A OUTPUT	A -INPUT	A +INPUT	V ⁺	B -INPUT	B INPUT	B OUTPUT	C -INPUT	C INPUT	C OUTPUT	D -INPUT	D +INPUT	V ⁺	B OUTPUT	B -INPUT	B +INPUT
Package	SC-88A / (SC-70)	SOT-23-5	SOP8	MSOP8 / (VSP8)	SOP14	SSOP14												
NJM347x	---	---	NJM3472G	NJM3472R	NJM3474G	NJM3474V												
NJM84x	---	---	NJM842G	NJM842R	NJM844G	NJM844V												
NJU704x	NJU7046F3	NJU7046F	NJU7047E	NJU7047RB1	NJU7048G	NJU7048V												
NJM7770x	---	NJU77701F	---	---	---	---												

Contact for information: Mr. Kinn · Tel. +49(0)7452-6007-21 · e-mail: d.kinn@endrich.com

HEADQUARTERS

ENDRICH Bauelemente Vertriebs GmbH · P.O.Box 1251 · D-72192 Nagold
 T +49 (0) 7452 6007-0 · F +49 (0) 7452 6007-70
 endrich@endrich.com · www.endrich.com

SALES OFFICES IN EUROPE

France:
 Paris: T +33/2 41 80 19 87 · france@endrich.com

Austria & Slovenia
 Vienna: T +43/1 66 52 52 521 · austria@endrich.com

Hungary:
 Budapest: T +361 / 2 97 41 91 · hungary@endrich.com



Bulgaria:
 Sofia: T +359/2 874 30 49 · bulgaria@endrich.com

Romania:
 Timisoara: T +40/356 11 41 88 · romania@endrich.com

Switzerland – Novitronic:
 Zurich: T +41/44 306 91 91 · info@novitronic.ch

Spain:
 Barcelona: T +34/93 217 31 44 · spain@endrich.com