

endrich news

www.endrich.com

OUR PRODUCT OF THE MONTH:

75-200 W 18-75 V ULTRA-WIDE INPUT VOLTAGE



FEATURES

- Ultra-wide input voltage range: 18-75 VDC
- Isolation voltage: 2250 VDC
- Operating temperature range: -40 °C to +85 °C
- Protections: input UVP, SCP, OCP, OVP, OTP
- International standard pin-out: 1/4 brick (packages are available with connector and heat sink)
- Meet EN60950 (pending)



75-200W 18-75V ULTRA-WIDE INPUT VOLTAGE, ISOLATED & REGULATED OUTPUT DC/DC CONVERTERS URF48_QB-75/150/200WR3 SERIES

HAVE A LOOK

MORNSUN further enriches the product line of wide input voltage R3 DC/DC converters and expands 100W to 75W, 150W and 200W URF48_QB-R3 series.

URF48_QB-R3 series provide wide input voltage range of 18-75VDC, widely applicable to traditional industries, emerging manufacturing industries and new energy industries. Traditional industries include industrial control, communication, power grid, and railway, etc. Emerging manufacturing industries do intelligent manufacturing and intelligent robots. New energy industries do wind energy controllers and electric vehicles, etc.

The series come in international standard package (1/4 brick). Packages with connector and heat sink are also available to meet different installation requirements. Powers are 75-200W and power density is high up to 104W/inch³. Isolation voltage is 2250VDC and the efficiency is up to 93%, with multiple protections. URF48_QB-R3 series are expected to provide customers with high reliability as well as excellent comprehensive performance. In addition, technical support from FAEs is available and ready, aiming to providing the best power solution.

Logistics robot is powered by batteries to track, lift and transport the goods to targeted positions in the warehouse. The transmission wheel is used for tracking and walking on the ground, the dumbwaiter for moving and placing the goods, the scanner for reading the information of the goods including location information and the camera for cruising and dispatching. All information interaction of the entire warehouse is achieved by the converters, to help intelligent scheduling and information management of the logistics system. Thus, the converters are required:

- a) Battery-powered, wide input voltage range.
- b) High anti-interference ability. Interference will be caused if connected with the battery together with the motor.
- c) High reliability, long longevity.
- d) Compact size, light, cost-effective.

URF4824QB-200WR3 series offer a wide input voltage range, solving troubles of wide battery voltage fluctuation range and motor interference on the system interference. 24V output, power up to 200W and high power density are designed with high reliability.

SERIES	POWER	VIN	VOUT	NO OF OUTPUT	ISOLATION	PACKAGE	DIMENSION
URF48_QB-75WR3	75W	18-75VDC	5-48VDC	1	2250VDC	DIP	61.8 x 40.2 x 12.7 mm
URF48_QB-75WFR3	75W	18-75VDC	5-48VDC	1	2250VDC	DIP	62.0 x 56.0 x 14.6 mm
URF48_QB-75WHR3	75W	18-75VDC	5-48VDC	1	2250VDC	DIP	61.8 x 40.2 x 27.7 mm

75-200W 18-75V ULTRA-WIDE INPUT VOLTAGE, ISOLATED & REGULATED OUTPUT DC/DC CONVERTERS URF48_QB-75/150/200WR3 SERIES



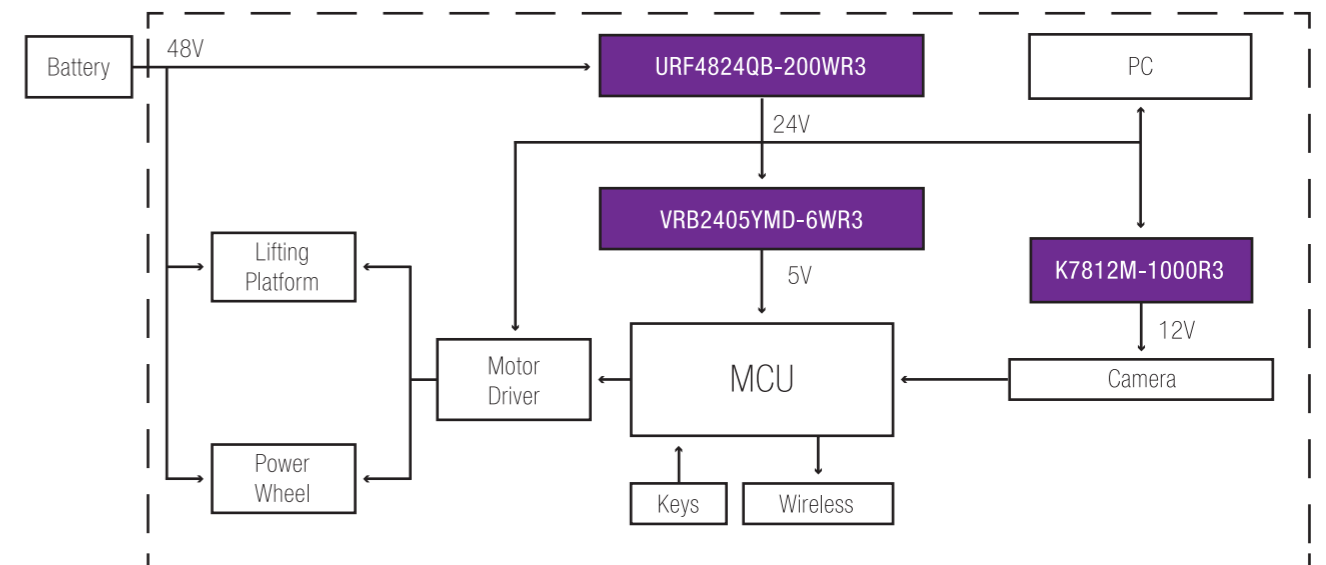
Package with connector

FEATURES

- Ultra-wide input voltage range: 18-75VDC
- Isolation voltage: 2250VDC
- Operating temperature range: -40 °C to +85 °C
- Protections: input UVP, SCP, OCP, OVP, OTP
- International standard pin-out: 1/4 brick (packages are available with connector and heat sink)
- Meet EN60950 (pending)

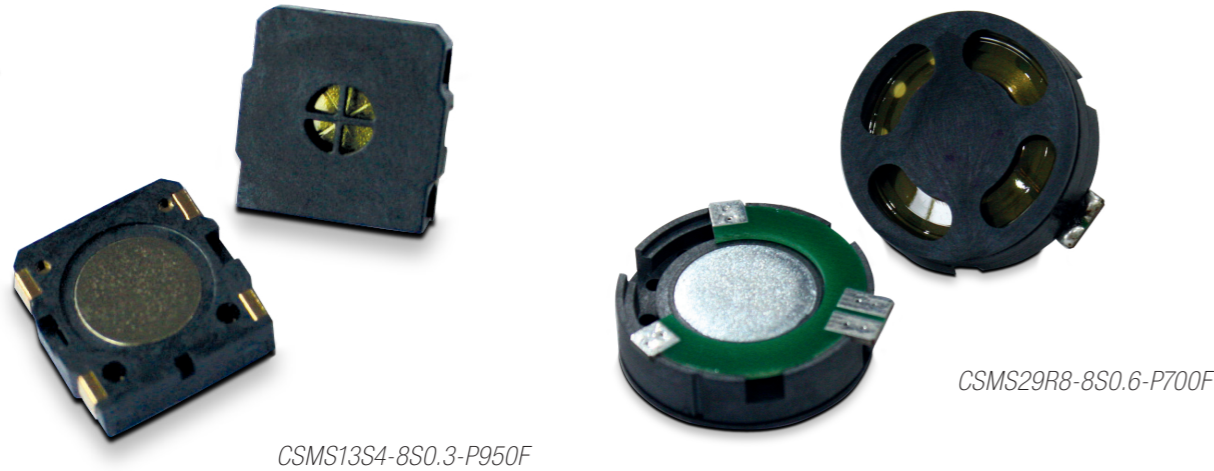
Applications:

Logistics robot, etc.



NEW TYPES OF SMD SPEAKER

HAVE A LOOK



FEATURES

- Dimensions from 13 mm to 29 mm
- Widest frequency range and best sound, compared with other sound solutions
- Different impedance values available upon request
- Different dimensions and frequencies available
- SMD capable
- Automotive specification and sound solution available on request

APPLICATIONS

- Portable handheld devices
- White goods
- Medical healthcare
- Industry devices
- Measuring devices
- Communication devices
- Every application, which will be improved through SMD

PART NO.	APPEARANCE	DIMENSIONS	IMPEDANCE ±15%	NORMAL POWER	SPL	OPERATING TEMP.	LOWEST RESONANT FREQ.	FREQUENCY RANGE
SMD SPEAKER								
PCXS1313040-R08W0 7-A-SM-266	Square	13.0 x 13.0 x 4.0 mm	8 Ω	700 mW	90 dB	-40 to +105 °C	1.000 Hz	F0 to 20.000 Hz
PCXS1515040-R08W0 5-A-SM-187	Square	15.0 x 15.0 x 4.0 mm	8 Ω	500 mW	87 dB	-30 to +85 °C	850 Hz	F0 to 20.000 Hz
CSMS13S4-8S0.3-P950F	Square	13.0 x 13.0 x 4.0 mm	8 Ω	300 mW	87 dB	-40 to +85 °C	950 Hz	F0 to 20.000 Hz
CSMS15S4.3-4S0.3-P950F	Square	15.0 x 15.0 x 4.3 mm	4 Ω	300 mW	89 dB	-40 to +85 °C	950 Hz	F0 to 20.000 Hz
CSMS18S4.8-8S0.3-P500F	Square	18.0 x 18.0 x 4.8 mm	8 Ω	300 mW	89 dB	-40 to +85 °C	500 Hz	F0 to 20.000 Hz
CSMS29R8-8S0.6-P700F	Round	28.8 x 8.0 mm	8 Ω	600 mW	97 dB	-40 to +85 °C	700 Hz	F0 to 20.000 Hz

RGT-SERIES, THIN FILM CHIP RESISTORS WITH EXTENDED OPERATING TEMPERATURE RANGE TO +175 °C

HAVE A LOOK



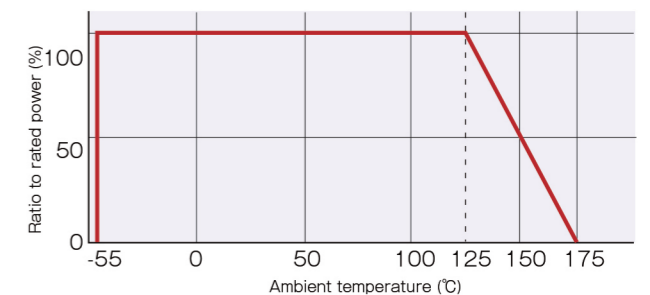
FEATURES

- Wide operating temperature to +175 °C
- High precision (tol. to 0,1 %, TCR to 10 ppm)
- Best long term stability with inorganic passivation layer
- ROHS compliant, halogen free
- AEC-Q200 compliant

APPLICATIONS

- Automotive electronics
- Industrial measurement instrumentation
- Industrial machines
- Wide temperature operation machines

TEST ITEMS	<47 Ω	≥47 Ω
Short time overload	± 0.05 %	± 0.05 %
Life (biased)	± 0.5 %	± 0.25 %
High temperature High humidity	± 0.5 %	± 0.25 %
Temperature shock	± 0.25 %	± 0.1 %
High temperature exposure	± 0.25 %	± 0.1 %



Derating Curve

Type	Power ratings	Temperature coefficient of resistance (ppm / °C)	Resistance range (Ω) Resistance tolerance		Max. voltage	Resistance value series	Operating temp.	Packaging quantity
			±0.1 % (B)	±0.5 % (D)				
RGT1005	1/32 W	±10 (N) ±25 (P)	10 ≤ R ≤ 100 k	10 ≤ R ≤ 150 k	50 V	E-24.E-96	-55 °C to +175 °C	T5
RGT1608	1/16 W	±10 (N) ±25 (P)	10 ≤ R ≤ 270 k	10 ≤ R ≤ 1 M	100 V			
RGT2012	1/10 W	±10 (N)	10 ≤ R ≤ 475 k	10 ≤ R ≤ 2.7 M	150 V			
		±25 (P)						

Electrical Specification

INVENTRONICS INTRODUCES ENHANCED, DIMMABLE CONSTANT-VOLTAGE DRIVERS

HAVE A LOOK

The new and improved EUV-150SxxxDTA/DVA is the first dimmable constant-voltage LED driver being added to the expansive Inventronics product portfolio. The dimming control provides isolated 0-10V dimming, deep dimming down to 0.1 % and Dim-to-Off capabilities. The new and improved EUV-150SxxxSTA/SVA are non-dimmable models for those who would like to take advantage of all the other advantages but do not require dimming controls.

Both new series provide output voltages of 12V and 24V and supply up to 150W at output currents from 0-12.5A with a full-load efficiency up to 90.5%. The calculated lifetime of these drivers at 70 °C case temperature has increased to 82,000 hours.

The rectangular, extruded-metal housing is more compact to enable more creative freedom on luminaire design. It is IP67 rated, which is great for LED strip, architectural, decorative and signage lighting. To ensure extended trouble-free operation, the upgraded EUV series also features over-voltage, over-temperature and short-circuit protection.

The EUV-150SxxxDTA/STA is approved to UL, FCC, CE and KS standards. The EUV-150SxxxDVA/SVA is approved to TUV, CE, CB, CCC and KS standards.

The EUV-150SxxxDVA (SVA) series is a 150W, constant-voltage IP67 LED driver that operates from 90-305 Vac input with excellent power factor. The high efficiency of the driver and compact metal case enables them to run cooler, significantly improving reliability and extending product life.

APPLICATIONS

- LED Strip
- Architectural
- Decorative
- Signage

MODELS	NUMBER	OUTPUT VOLTAGE	INPUT VOLTAGE RANGE	OUTPUT CURRENT RANGE	MAX. OUTPUT POWER	TYPICAL EFFICIENCY	POWER FACTOR
EUV-150S012DVA(SVA)	12 V	90-305 VAC 127-250 VDC	0-12.5 A	150 W	90.0 %	0.99 (120 VAC)	0.96 (220 VAC)
EUV-150S024DVA(SVA)	24 V	90-305 VAC 127-250 VDC	0-6.25 A	150 W	90.5 %	0.99 (120 VAC)	0.96 (220 VAC)

INVENTRONICS INTRODUCES ENHANCED, DIMMABLE CONSTANT-VOLTAGE DRIVERS

SPEC / FEATURES	EUV-150SxxxST/SV	EUV-150SxxxDTA/DVA	EUV-150SxxxSTA/SVA
Output Voltage	12V, 24V, 36V, 42V, 48V, 54V	12V, 24V (UL LVLE)	12V, 24V (UL LVLE)
Fast Start (< 0.5 s)	—	■	■
Isolated 0-10V Dimming	—	■	—
PWM Dimming	—	■	—
Dim-to-Off	—	■	—
Max. Efficiency	93 %	90.5 %	90.5 %
Surge Protection	4 kV DM, 6 kV CM	4 kV DM, 6 kV CM	4 kV DM, 6 kV CM
THD	< 20 % @ 100-277 Vac / 50-60 Hz	< 20 % @ 100-277 Vac / 50-60 Hz < 10 % @ 220-240 Vac / 50-60 Hz	< 20 % @ 100-277 Vac / 50-60 Hz < 10 % @ 220-240 Vac / 50-60 Hz
Lifetime	77,200 hours @Tc = 70 °C	82,000 hours @Tc = 70 °C	82,000 hours @Tc = 70 °C
Warranty Tc max	65 °C	75 °C	75 °C
Case Size	266.0 x 67.5 x 36.5 mm	201.0 x 67.5 x 36.5 mm	201.0 x 67.5 x 36.5 mm
Certifications	UL, FCC, CE, KS, CB, CCC, PSE, EAC, SAA	UL Class P (DTA), FCC, CE, CCC, TUV, KS, CB	UL Class P (STA), FCC, CE, CCC, TUV, KS, CB

FEATURES

- High Efficiency (Up to 90.5 %)
- Isolated 0-10V Dimmable (DVA models)
- Non-Dimmable (SVA models)
- Deep Dimming down to 0.1 %
- Constant Voltage PWM Output Frequency up to 1.5 kHz
- Dim-to-Off with Standby Power ≤ 0.5 W
- Input Surge Protection: 4 kV line-line, 6 kV line-earth
- All-Around Protection: OCP, OVP, SCP, OTP
- Waterproof (IP67)
- SELV Output
- Suitable for Independent Use
- 5 Years Warranty



LDO WITH REVERSE CURRENT PROTECTION / DISCHARGE FUNCTION

HAVE A LOOK

The NJM2879 is a low dropout regulator which achieves high ripple rejection, low noise and high speed response with the bipolar technology. Small packaging and 0.47 μF decoupling capacitor make the NJM2879 suitable for space conscious applications. Moreover, the NJM2879 is not required noise reduction capacitor. In addition, the reverse current protection makes external SBD unnecessary.

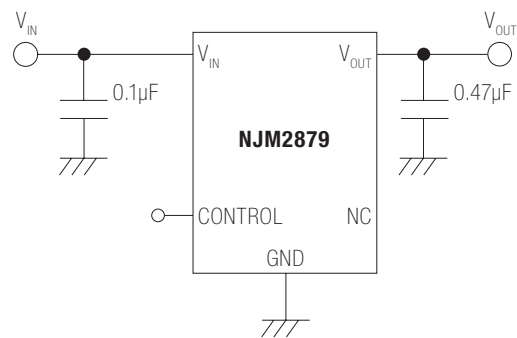
FEATURES

- AEC-Q100 Grade 1 Qualified
- Operating Voltage Range (2.3V to 6.5V)
- Output Voltage Accuracy ($V_o \pm 2.0\%$)
- Output Current (I_o (min.) = 200 mA)
- Reverse Current Protection
- Discharge Function
- ON/OFF Control
- Correspond to Low ESR capacitor (MLCC)
- Thermal Shutdown Circuit
- Over Current Protection Circuit
- Package Outline (SOT-23-5)

APPLICATIONS

- Automotive infotainment
- Automotive ECU unit
- Industrial equipment

TYPICAL APPLICATION



(1): Mounted on glass epoxy board.

(76.2 x 114.3 x 1.6 mm: based on EIA/JEDEC standard, 2-layers)

(2): Mounted on glass epoxy board.

(76.2 x 114.3 x 1.6 mm: based on EIA/JEDEC standard, 4-layers), internal Cu area: 74.2 x 74.2 mm

PARAMETER

SYMBOL

RATINGS

ABSOLUTE MAXIMUM RATINGS

Input Voltage	V_{IN}	-0.3 to +7V
Control Pin Voltage	V_{CONT}	-0.3 to +7V
Output Voltage	V_{OUT}	$V_o \leq 1.8V$ -0.3 to +5.5V $V_o > 1.8V$ -0.3 to +7V
Power Dissipation ($T_a = 25^\circ\text{C}$) SOT-23-5	P_D	(2-layer / 4-layer) 480 ⁽¹⁾ / 650 ⁽²⁾
Junction Temperature Range	T_j	-40 to +150 $^\circ\text{C}$
Operating Temperature Range	T_{opr}	-40 to +125 $^\circ\text{C}$
Storage Temperature Range	T_{stg}	-50 to +150 $^\circ\text{C}$

Contact for information: Mr. Kinn · Phone: +49(0)7452-6007-21 · e-mail: d.kinn@endrich.com

HEADQUARTERS

ENDRICH Bauelemente Vertriebs GmbH
P.O.Box 1251 · 72192 Nagold, Germany
T +49 (0) 7452 6007-0
F +49 (0) 7452 6007-70
endrich@endrich.com
www.endrich.com

SALES OFFICES IN EUROPE

France
Paris:
T +33/186653215
france@endrich.com

Lyon:
T +33/186653215
france2@endrich.com

Spain
Barcelona:
T +34/93 217 31 44
spain@endrich.com

Bulgaria
Sofia:
bulgaria@endrich.com

Austria & Slovenia
Brunn am Gebirge:
T +43/1 665 25 25
austria@endrich.com

Romania
Timisoara:
romania@endrich.com

Hungary
Budapest:
T +361/2 97 41 91
hungary@endrich.com

Switzerland – Novitronic
Zurich:
T +41/44 306 91 91
info@novitronic.ch