

MP3363

Single-String, 1.8V to 36V, 1A Boost LED Driver

Key Features

- 1.8V to 36V V_{IN}
- 1A I_{PEAK}
- 95% Efficiency
- $0.5\mu A$ $I_{SHUTDOWN}$ and 200mV V_{FB}
- Analog and PWM Dimming

Applications

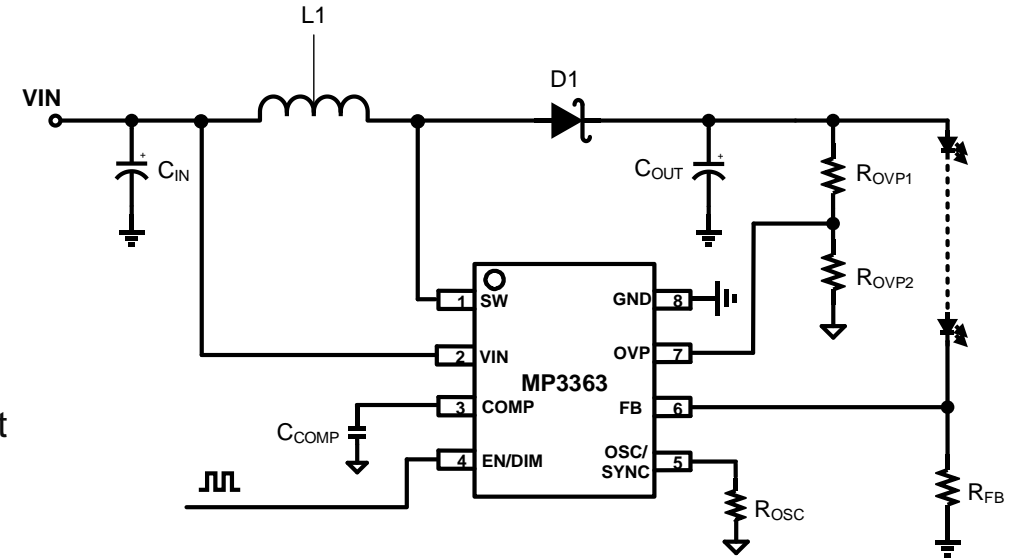
- 2 AA Powered Backlighting
- LCD Backlighting
- General Lighting

Why Buy?

- Widest V_{IN} Range on the Market
- Lower $I_{SHUTDOWN}$ than Competition

Market

- Driving Recorders
- PDAs
- Thermostats
- Emergency Lighting



Available in a TSOT23-8 Package

