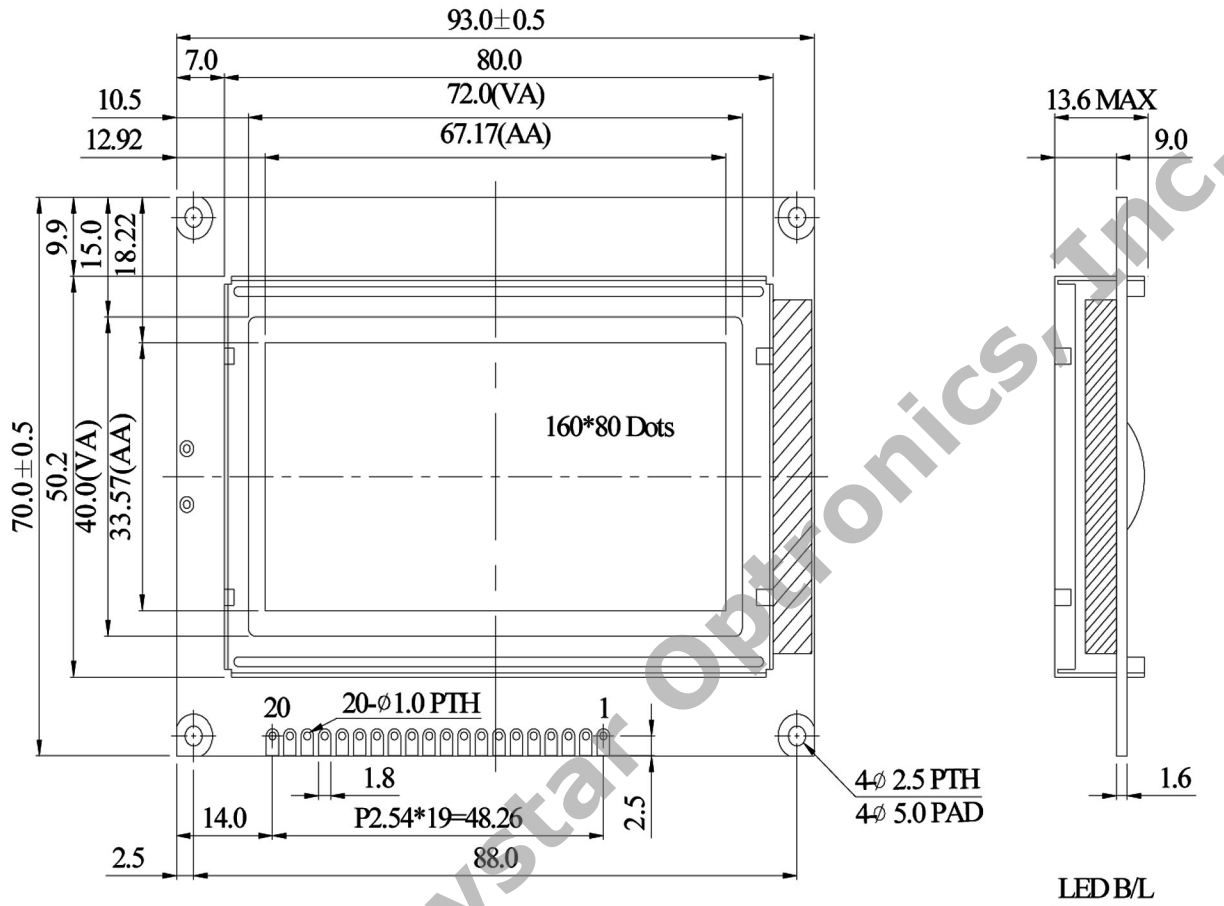
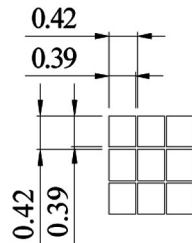


## RG16080D Graphic 160x80 dots



PIN NO.	SYMBOL
1	Vss
2	Vdd
3	Vo
4	/WR
5	/RD
6	C/D
7	DB0
8	DB1
9	DB2
10	DB3
11	DB4
12	DB5
13	DB6
14	DB7
15	/CE
16	NC/FS
17	/RST
18	Vee
19	A
20	K



DOT SIZE  
SCALE 10/1

The non-specified tolerance of dimension is  $\pm 0.3$ mm.