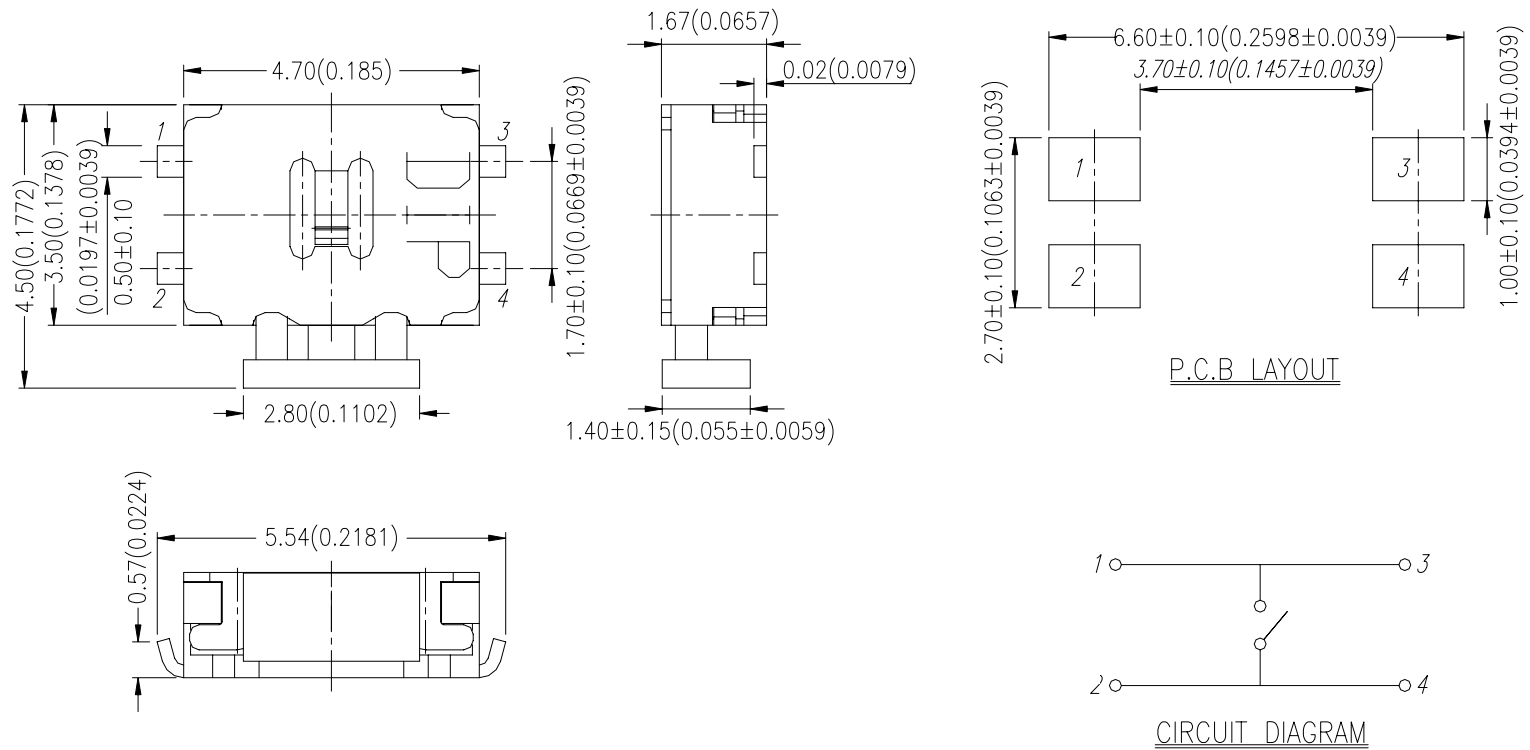


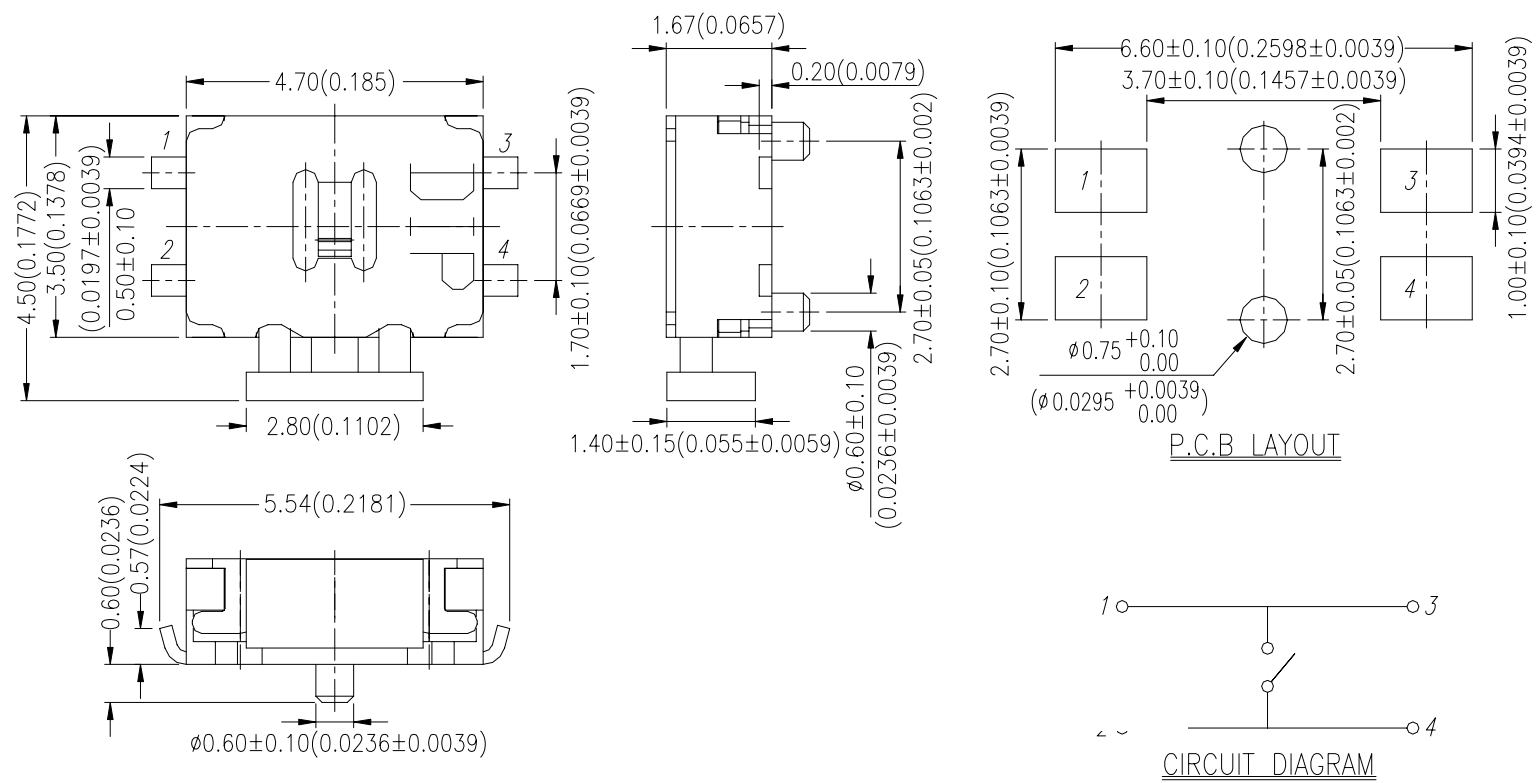
# PT SERIES

## DIMENSIONS

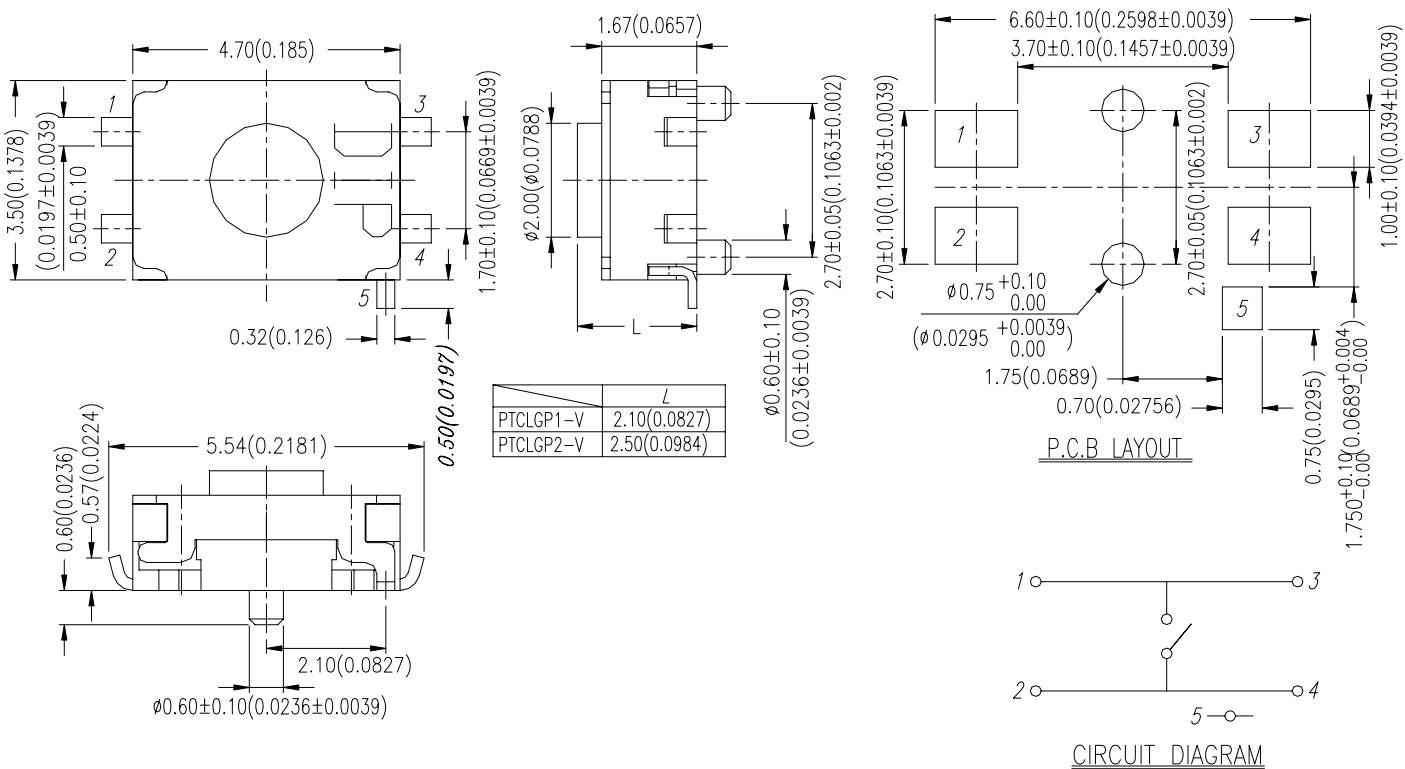
### PTL



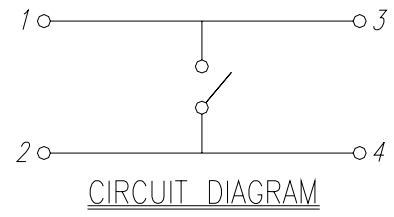
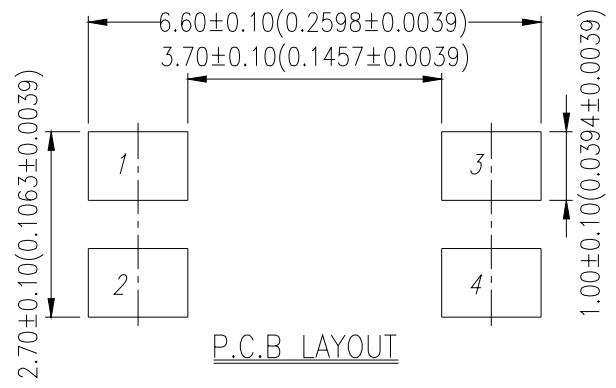
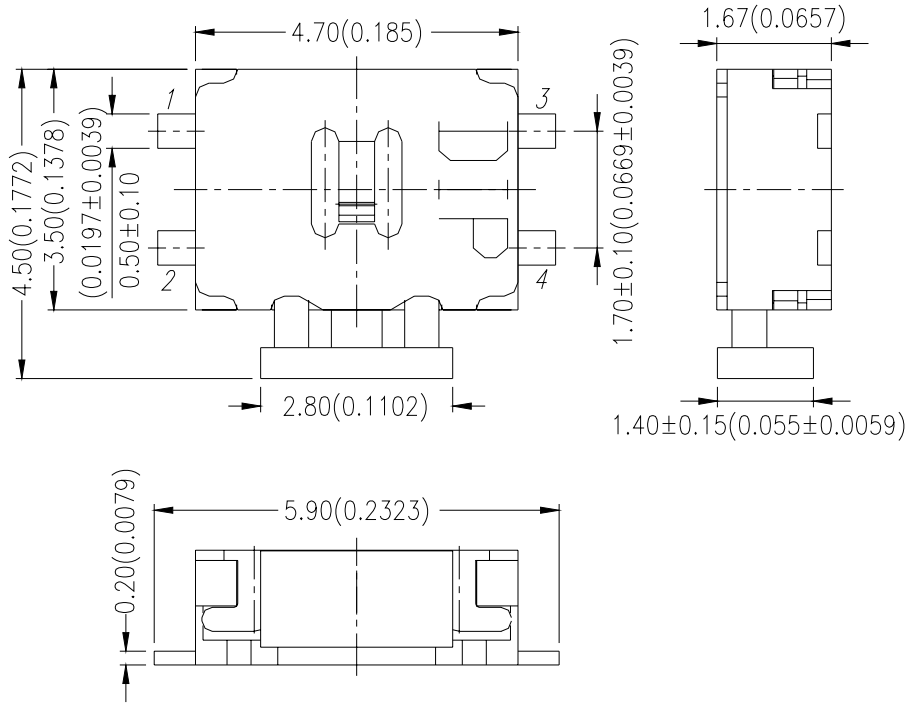
### PTCL



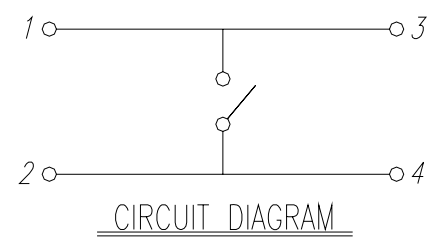
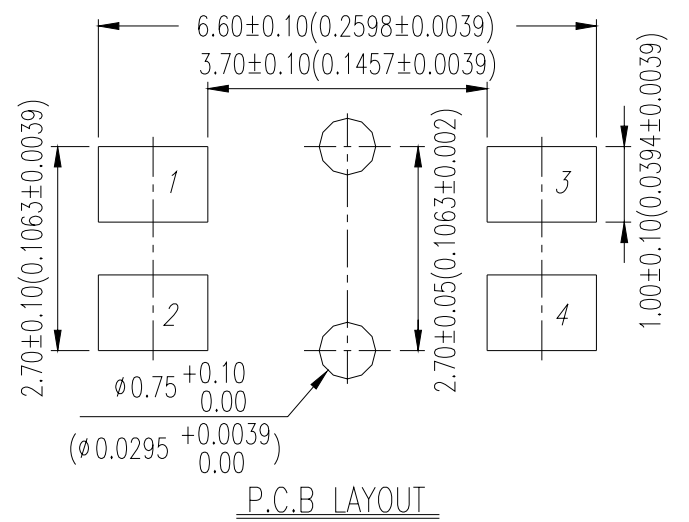
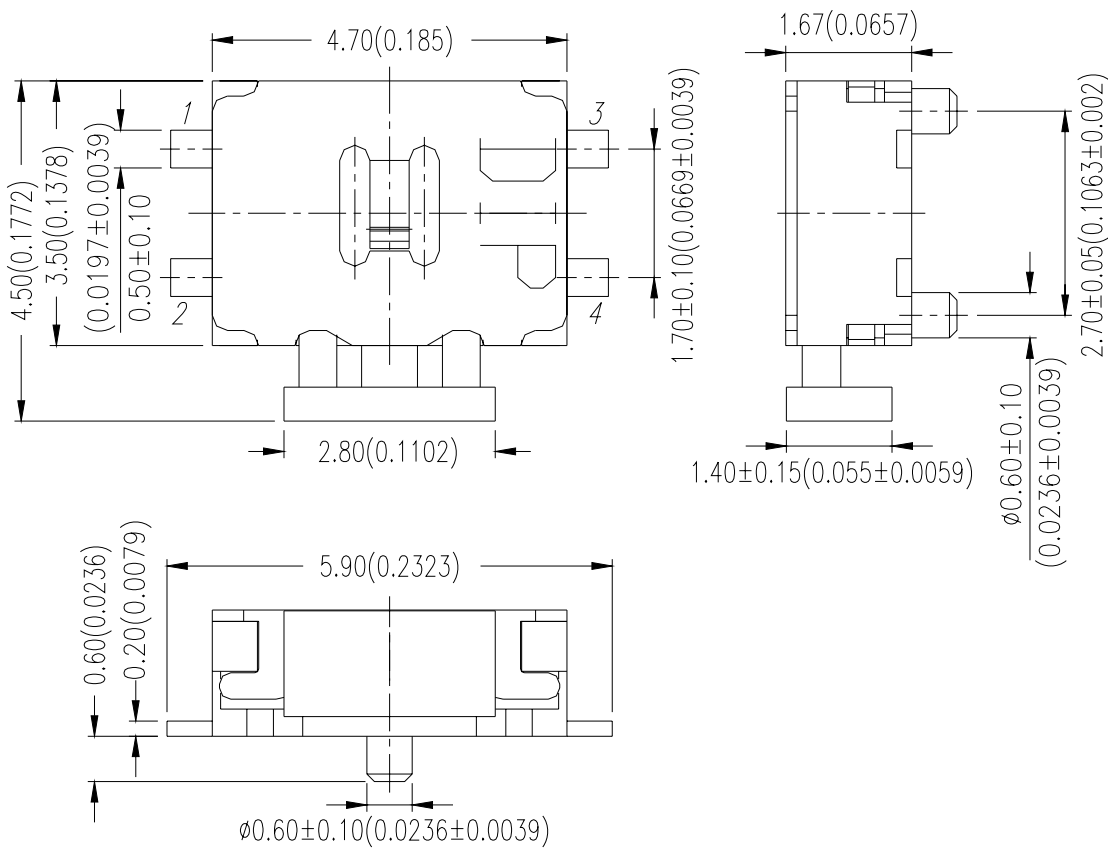
### PTCLGP



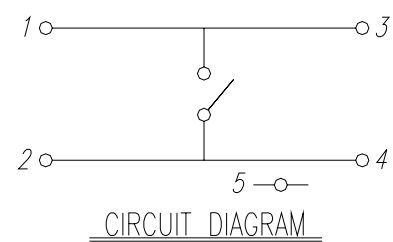
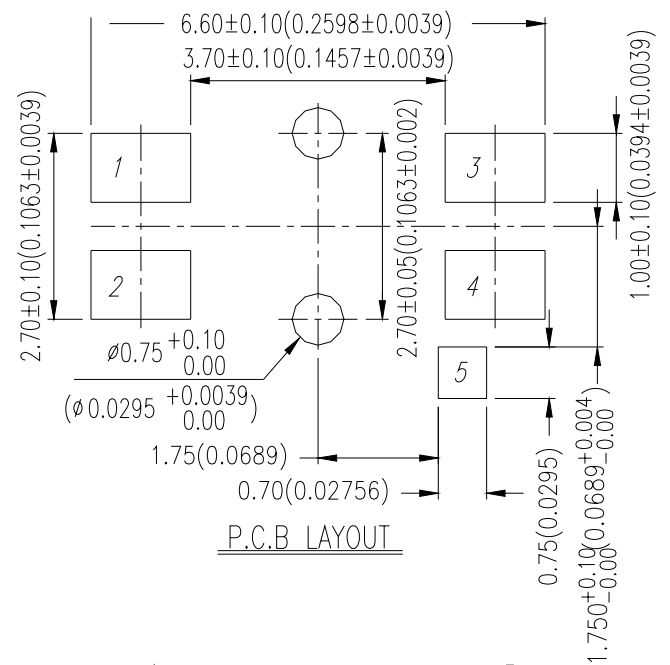
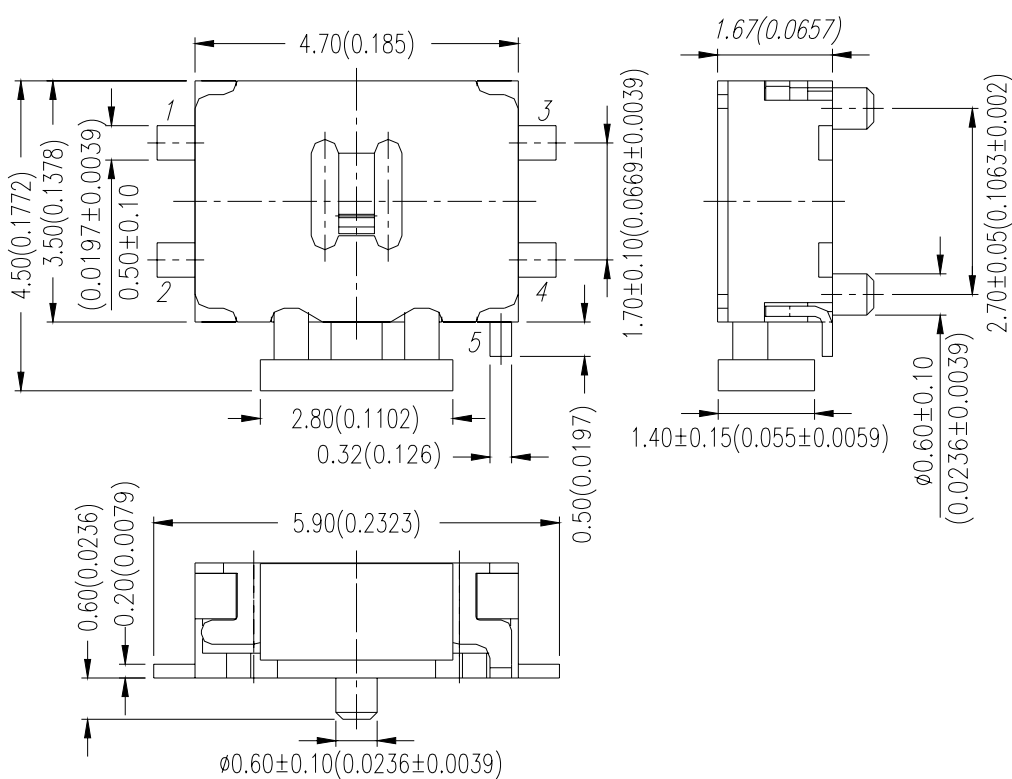
**PTF**



**PTCF**



**PTCFG**



## HOW TO ORDER

PT □ □ □ □ - □ - □

Package Style :  
T/R = Tape & Reel

Soldering :  
V = Lead Free Solderable

Stem Height For Vertical Push Type :  
□ = Side Push  
P1 = 2.1mm  
P2 = 2.5mm

□ = Without Ground Terminal  
G = With Ground Terminal

Terminal Type :  
L = J Bend  
F = Flat

□ = Without Post  
C = With Post

Side/Vertical Push Switch

## SPECIFICATION

### △MECHANICAL

Operation Force:

220 +80/-70gf Side push

160 ± 50gf Vertical push

Stroke: 0.30 + 0.1 mm Side push  
- 0.15 mm

0.20 ± 0.1 mm Vertical push

Operation Temperature: -25°C to +70°C

Storage Temperature: -30°C to +80°C

### △ELECTRICAL

Electrical Life: 100,000 cycles min. for PT(C)L, PT(C)F

Rating: 50mA, 12VDC

Contact Resistance: 100mΩ max.

Insulation Resistance: 100MΩ min. 500VDC

Dielectric Strength: 250VAC/ 1minute

Contact Arrangement: 1 pole 1 throw

## MATERIAL

△COVER: Stainless Steel

△CONTACT DISC: Stainless steel

△TERMINAL: Brass with silver plated

△BASE: LCP High-temp. thermoplastic

Color: Black

△STEM: LCP High-temp. thermoplastic

Color: Black

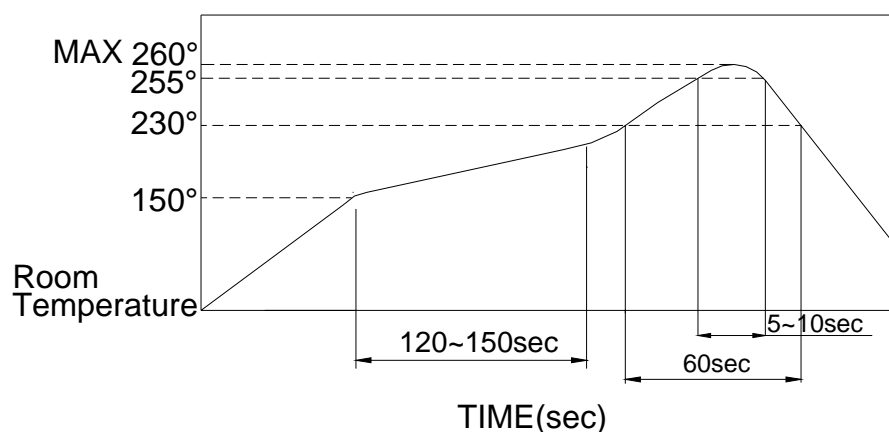
△TAPE: Teflon

## SOLDERING PROCESSES

△HAND SOLDERING : Use a soldering iron of 30 watts, controlled at 350°C approximately max 5 seconds.

△REFLOW SOLDERING :

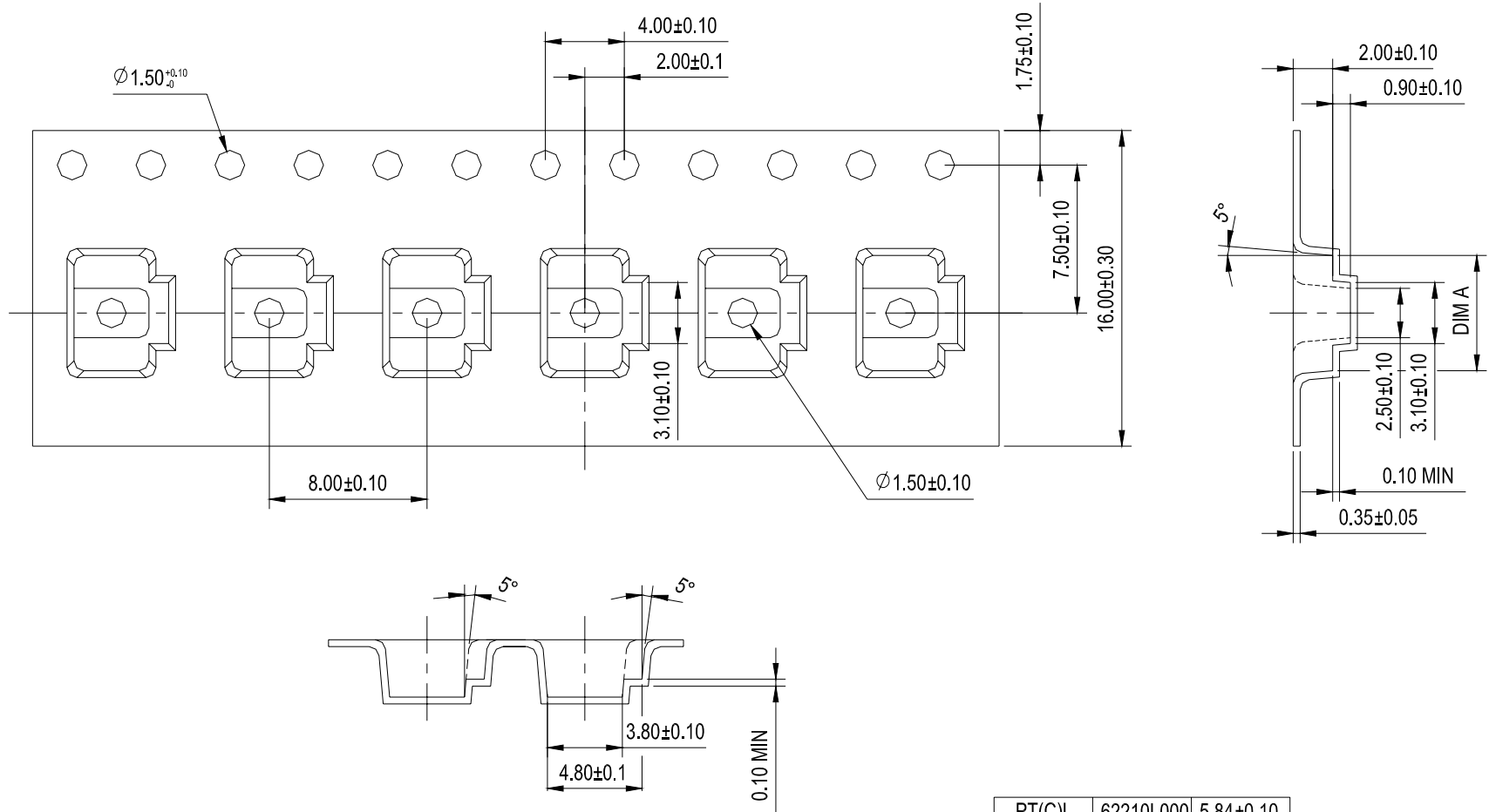
△Reflow Temperature Profile:



# PACKING

Part Number	Number Per Reel	
Side push type	3000	
Vertical push type	2400	

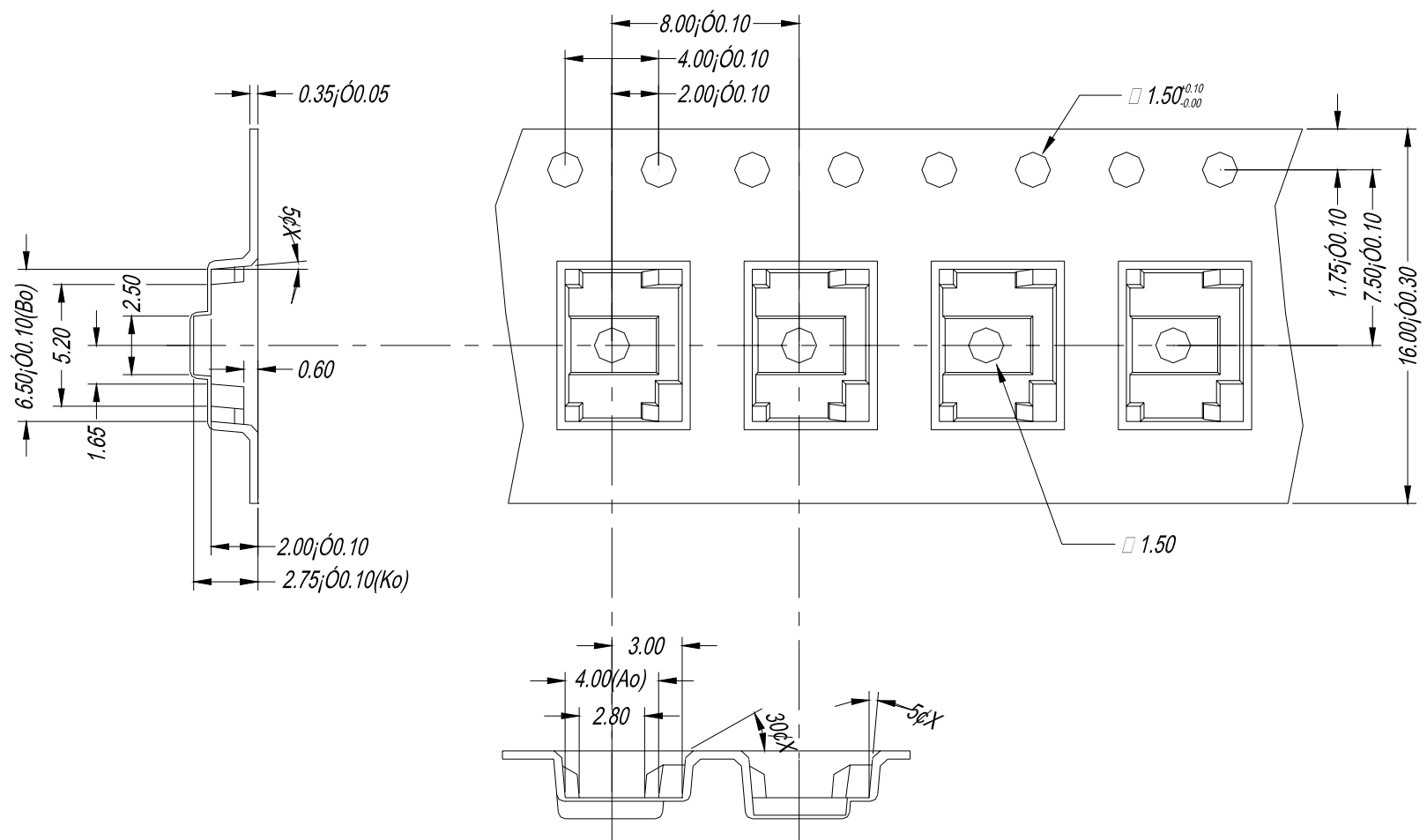
## PT(Side push type) REEL



PT(C)L	62210L000	5.84±0.10
PT(C)F	62210F000	6.20±0.10
PAPT NAME	PAPT NO.	DIM A

General Tolerance :  $\pm 0.1$ mm

## PT(Vertical push type) REEL



General Tolerance :  $\pm 0.1$ mm