

# Memoright

## Product Data Sheet

**M1880**

**BGA 153 Balls**

**up to 400 MB/sec Bus Transfer Rate**

**Business Temperature Grade**



## e-MMC 5.1 Embedded Flash Memory – M1880 Series

### 8GB ~ 64GB

#### 1. Features

- ◆ **General Features**
  - Embedded with e-MMC Flash Controller and NAND flash
  - Field Firmware Update Supported
  - Support Sleep Notification in Power Off Notification
  - Device Health Report Supported
  - Secure Removal Type Supported
  - Command Queuing Supported
  - Mechanical design complies with JEDEC® Standard
  - Support data bus widths of 1bit, 4bit, 8bit
- ◆ **Support Speed Mode**
  - SDR52MHz/DDR52MHz/HS200/HS400
- ◆ **Form Factor**
  - e-MMC 5.1 Embedded Flash Memory
  - 8 GB~32 GB(BA type):11.5mm x 13mm 1.0mm
  - 64 GB(BA type):11.5mm x 13mm 1.2mm
  - BGA 153 Ball
  - Complies with JEDEC® MO-276D Specification
- ◆ **Available Capacities**
  - 8 GB to 64 GB
- ◆ **Voltages**
  - Memory Power (VCC) 3.3V
  - Supported Interface Power (VCCQ) voltage: 1.8V
- ◆ **ECC**
  - Internal Strong Error Correction supported
- ◆ **High Performance**
  - Up to 400 MB/s bus transfer rate
- ◆ **Temperature Ranges**
  - Business Temperature Range: -25°C ~+85°C
  - Storage Temperature Range: - 40°C ~+85°C



## 2. General Description

Memoright M1880 series is an eMMC 5.1 compliance embedded flash memory module that **integrates a slim controller** and NAND flash into a **BGA package** for various consumer electronics applications such as smart phones, Tablet PC, GPS, etc.

Memoright M1880 series provides low power mode to greatly **extend battery lifetime** and to **achieve high performance** for up to 64GB storage capacity that makes it an ideal solution for multimedia handsets. M1880 integrates advanced flash management technology to achieve balance between cost and performance. It supports three clock frequency of **0-200MHz** and also supports for data bus width modes **of 1bit, 4bit and 8bit**. Besides, it **integrates several patented method such as dynamic & static wear-leveling and advance block management** to **achieve highest data reliability and maximized flash life expectancy**.

Memoright M1880's various advantages such as high performance, capacity and reliability make it the best eMMC storage solution for several consumer electronics devices such as mobile PC and personal handheld devices.

### 2.1 Physical Description

The important component of Memoright M1880 embedded Flash Memory integrates a Flash controller and NAND Flash memory modules. The Memoright M1880 e-MMC embedded Flash memory solution is provided in BGA 153 ball package.

### 3. Ordering Information

The following Table 1 lists the part No. for Memoright M1880 series e-MMC.

Table 1: Business temperature product list

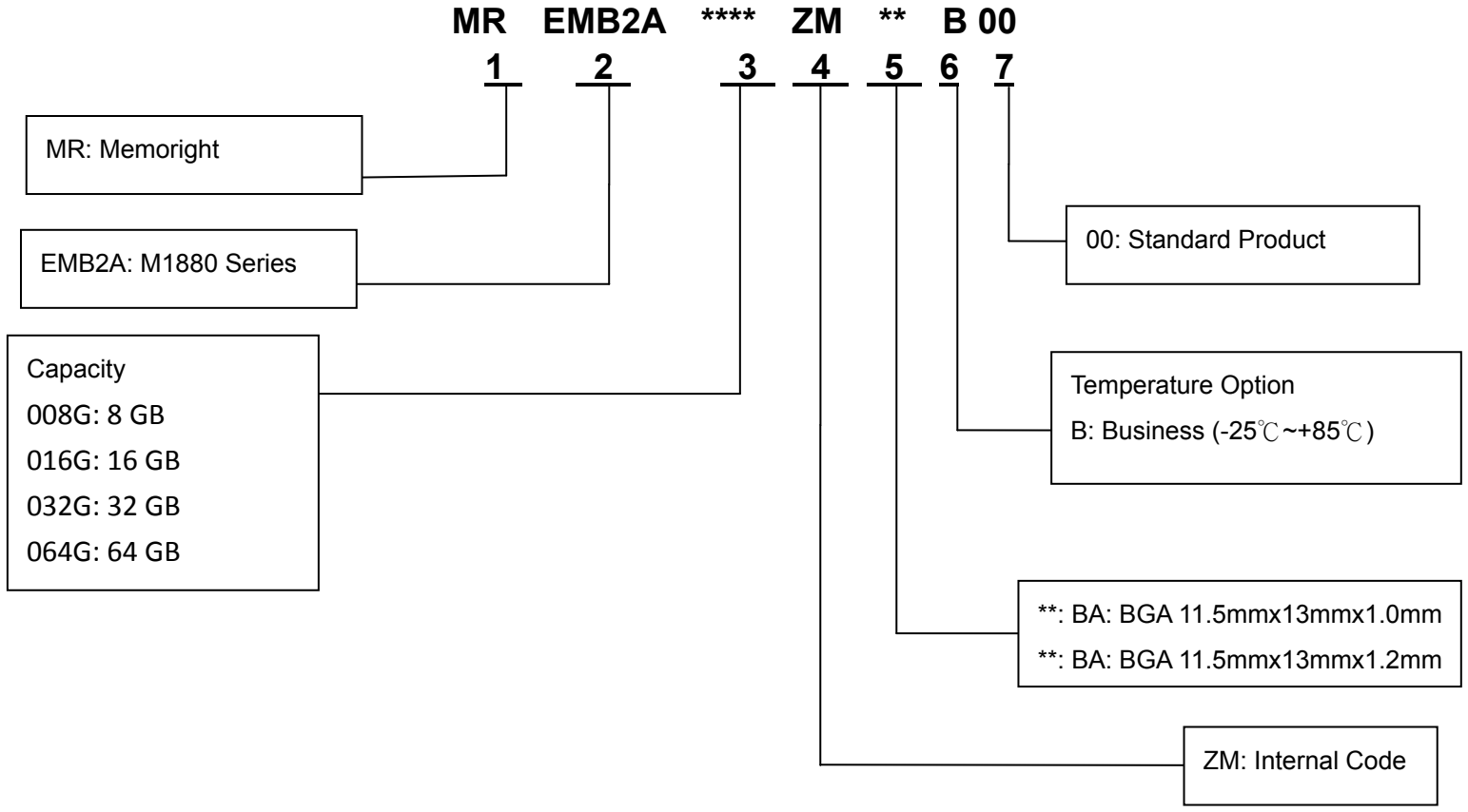
BGA 153 Ball, 11.5mm x 13mm			
Part Number	Capacity	Physical Dimension	Form Factor
MREMB2A008GZMBAB00	8 GB*	11.5x13x1.0mm	BGA 153 ball
MREMB2A016GZMBAB00	16 GB*	11.5x13x1.0mm	BGA 153 ball
MREMB2A032GZMBAB00	32 GB*	11.5x13x1.0mm	BGA 153 ball
MREMB2A064GZMBAB00	64 GB*	11.5x13x1.2mm	BGA 153 ball

\* 1 GB=1,000,000,000 Bytes

For latest ordering information, please consult Memoright's sales representatives or check on our website:

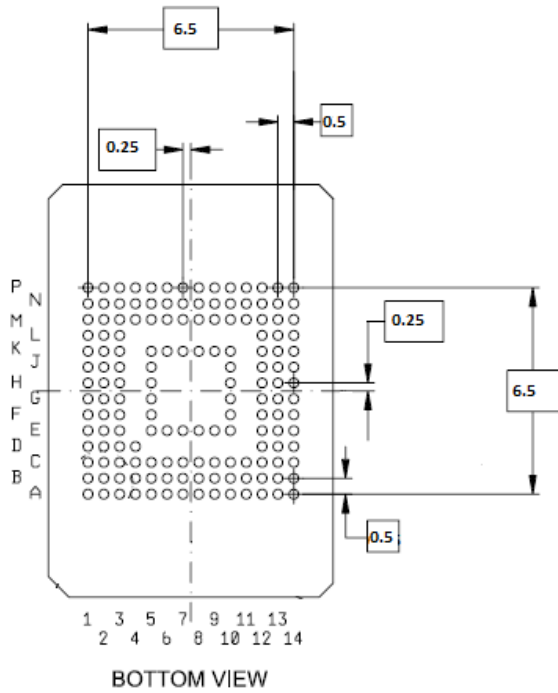
<http://www.memoright.com>

### 4. Part No. Decoder



## 5. Physical Dimension Diagram

### 5.1 Bottom View: BA format



Note: Dimensions are in millimeters

Figure 1: Bottom View: BA format

5.2 Side/Top View: BA format

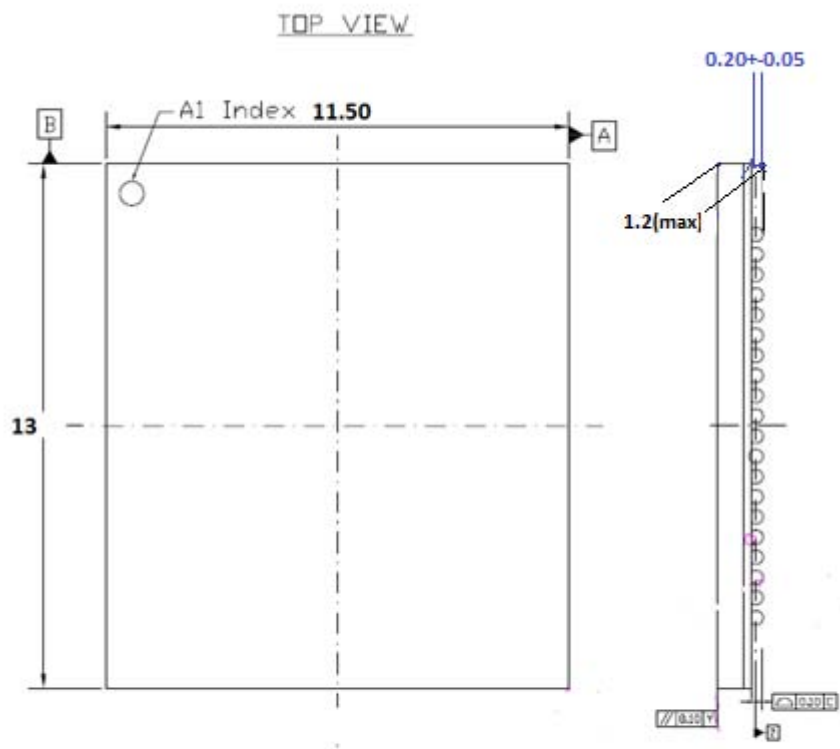


Figure 2 Side/Top View: BA format

Physical Dimensions		Unit
Length	11.5	mm
Width	13	mm
Thickness	1.0/1.2	mm

**6. Contact Information**

<b>Memoright Worldwide Headquarters</b>		
9F, 535, Zhongzheng Rd, Xindian Dist., New Taipei City 231, Taiwan	General Support	+886-2-2218-3789
	Fax	+886-2-2218-5155
	E-mail	support@memoright.com

**DISCLAIMER OF LIABILITY**

Memoright Corp. reserves the right to make changes to specifications and product descriptions such as but not limited to numbers, parameters and other technical information contained herein without notice. Please contact Memoright Corp. to obtain the latest specifications. Memoright Corp. grants no warranty with respect to this datasheet, explicit or implied, and is not liable for direct or indirect damages. Some states do not grant the exclusion of incidental damages and as such this statement may not be valid in such states. The provisions of the datasheet do not convey to the purchaser of the device any license under any patent right or other intellectual property right of Memoright Corp. or others

**COPYRIGHT NOTICE**

Copyright © 2015 by Memoright Corp. All rights reserved. Information contained in this document, including but not limited to any instructions, descriptions and product specifications, is considered proprietary and confidential to Memoright Corp. and shall not be modified, used, copied, reproduced or disclosed in whole or in part, in any form or by any means, electronic or mechanical, for any purpose, without the written consent of Memoright Corp.