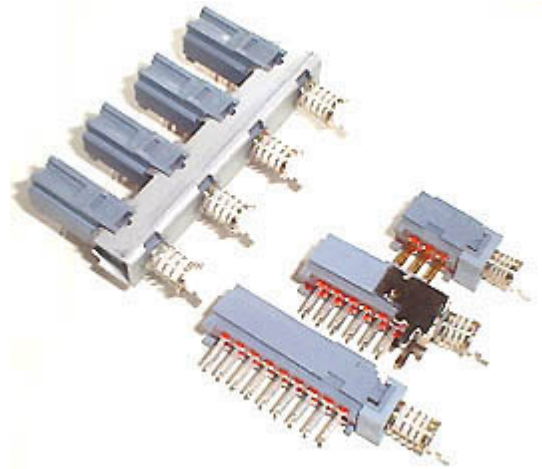


## Specifications

Ratings:	0.10A 30VDC 10,000 cycles (MPN) 1.00A 13VDC 10,000 cycles (MPH)
Operating Temp:	-10°C ~ +60°C
Contact Resistance:	50mΩ max. initial
Insulation Resistance:	100 MΩ min.
Dielectric Strength:	500VAC for 60 +/- 5 sec
Housing:	UL 94V0
Travel-to-lock	2.0mm (Total travel: 3.0mm)
Timing:	Non-shorting
Moving Contacts:	Silver plated
Buttons:	MF series caps
Operating Force:	2 Poles: 240 +/- 100gf 4 Poles: 280 +/- 100gf 6 Poles: 330 +/- 100gf



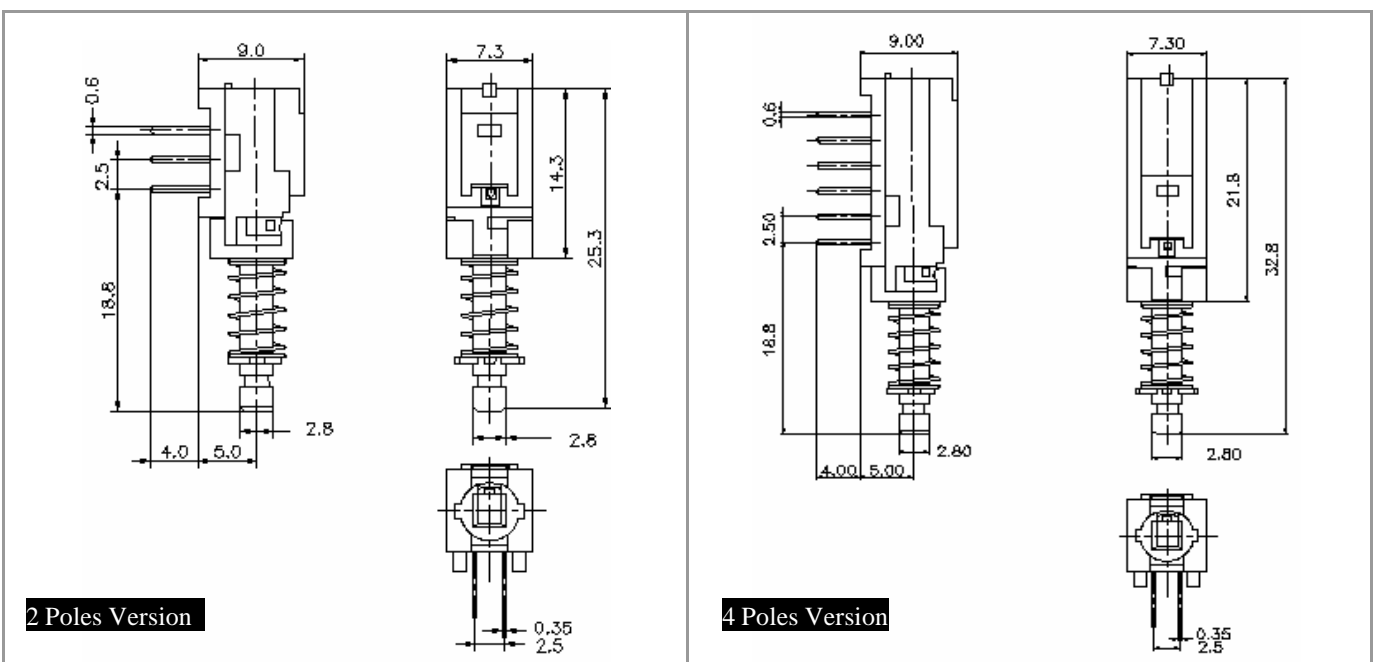
Ordering Qty: 200pcs  
Switch Assembly: 500pcs

## Ordering Single Switch

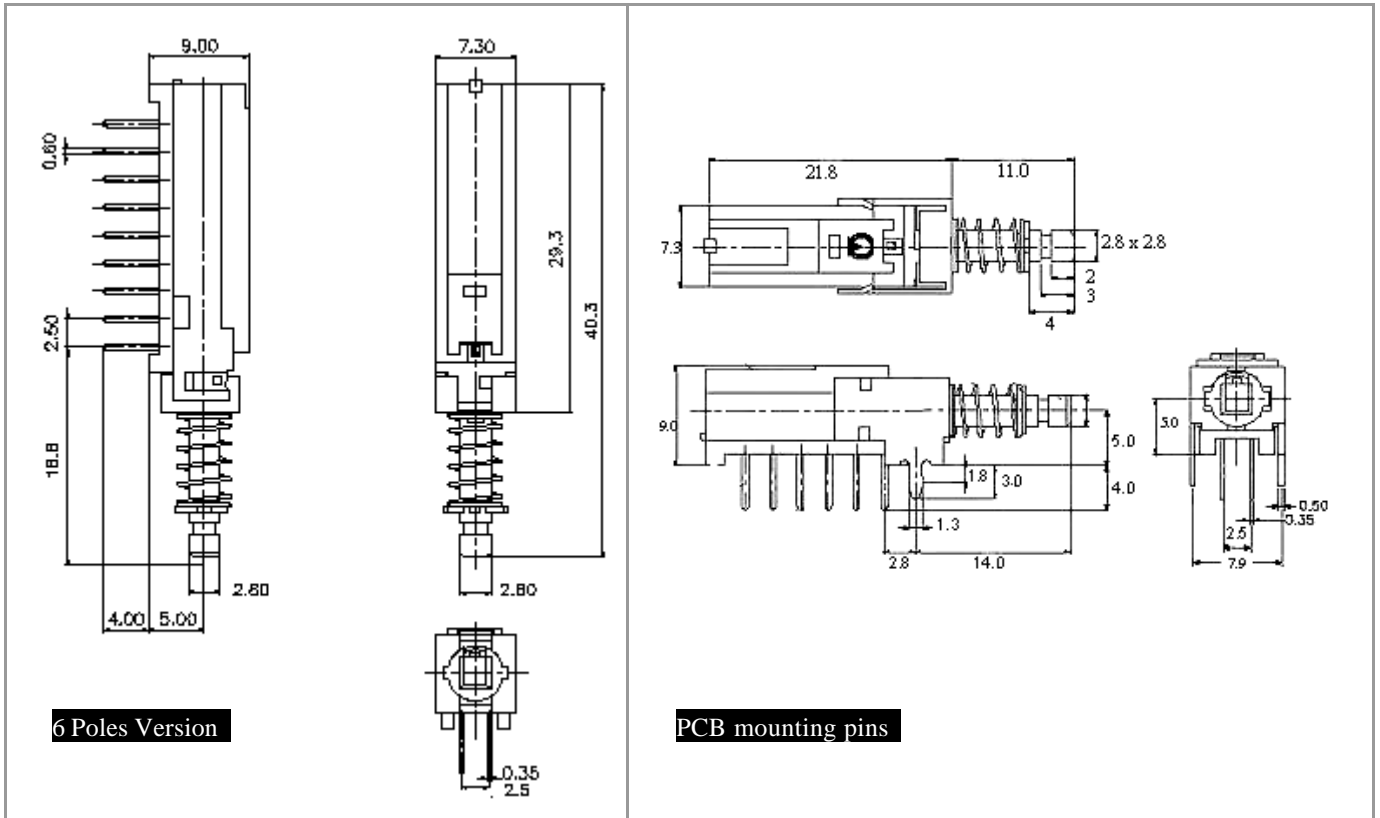
**MPN - S 2 T - A**

MPN=0.10A 30VDC	Function	Circuitry	Mounting Chassis	Terminals
MPH= 1.00A 13VDC	S = Self Lock N = Non-lock	2= 2 poles 4= 4 poles 6= 6 poles	H = Mounting holes is 2 x Ø3.2 mm T = M3 Screw, 2 x (M3x 0.5 mm) C = Mounting chassis ear cut D = PCB mounting pins Nil: No chassis	A: straight terminals B: Snap in terminals

## Dimensions

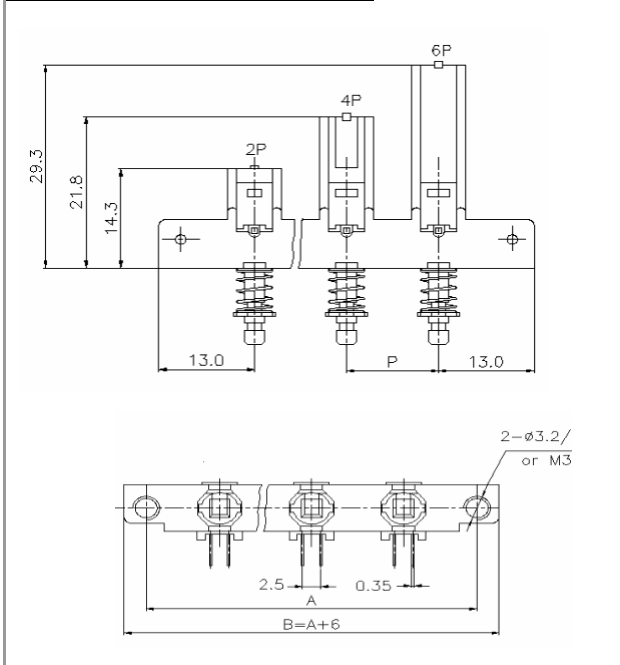


## Dimensions

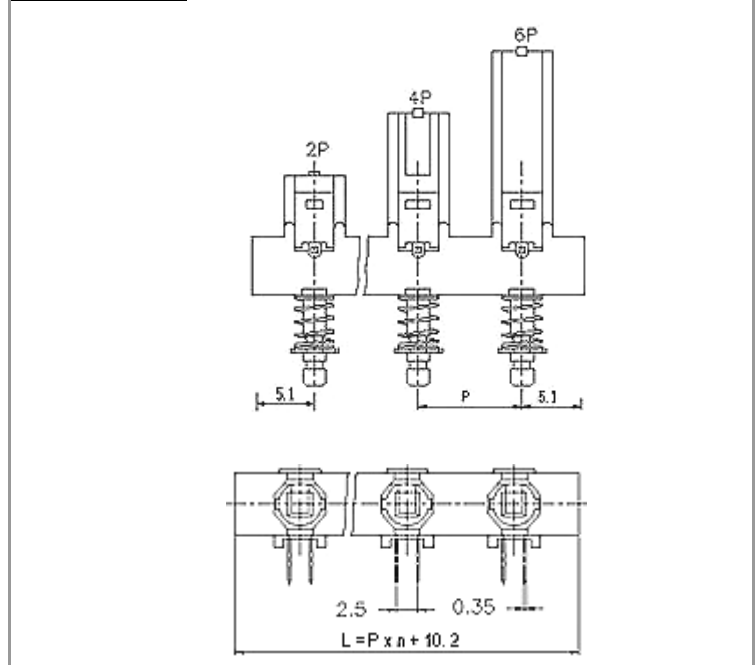


## Mounting Chassis

### Chassis with M3, Ø 3.2mm holes



### Chassis Ear cut



## Ordering Switch Assembly

For ordering switch assembly, please refer to Appendix A in this catalogue.

# Appendix - A

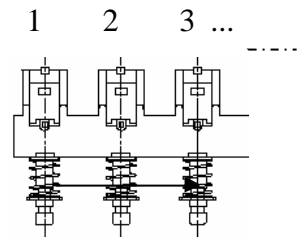
## Switch Assembly Ordering Form

Customer: _____	Toneluck Salesman : _____
Purchaser: _____	Date : _____
Project Ref: _____	Your Email : _____
Sales Rep.: _____	Est. Monthly Qty : _____

**Format:**

**PBN** - **5** - **17.5** **H** - **xxxx**

PBA	No. of switches	Pitch (mm)	<u>Mounting Chassis</u>
PBN		10.0	H = Mounting holes is 2 x Ø3.2 mm
MPN		12.5	T = M3 Screw, 2 x (M3x 0.5 mm)
PWL		15.0	C = Mounting chassis ear cut
		17.5	
		20.0	
		25.0	XXXX : Assigned by Toneluck



Key No.	Switch Part Number	Function (select one only by 'x')				Pitch (p)	Button P/N
		Self Lock	Non-lock	Inter-lock	Reset		
1							
2							
3							
4							
5							
6							
7							
8							

Remarks: \_\_\_\_\_

**To be filled by Toneluck:**

Part-number:	[ ] - [ ] - [ ] [ ] - [ ]
Price:	Lead-time :
Revision Date:	Validity: 180 days
Remarks:	