

## IEEE1394 CONNECTOR & CABLE ESB 6 SERIES (CONNECTOR)

### ■ FEATURES

- Raised design provides easy insertion and withdrawal, and guarantee even high reliability.
- Gold plated contact ensure low contact resistance.
- All plastics are UL 94V-0 grade fire retardant.
- Up to 4.5 meters per cable segment.
- To make sure your connections are perfect every time.

### ■ APPLICATIONS

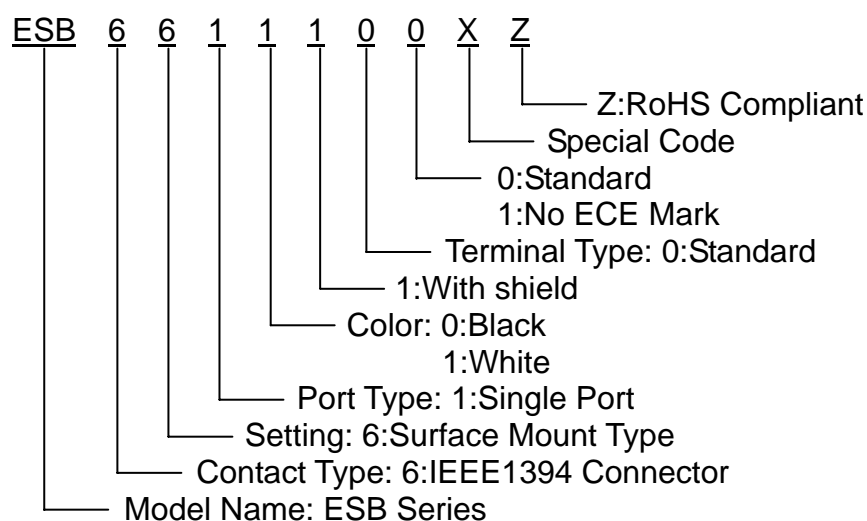
- PCs peripheral equipment (modem, scanner, HDTV, printer, phone/answering, keyboard, mouse, game controller, digital audio)

### ■ SPECIFICATIONS

ELECTRICAL	
Contact resistance	30 mΩ Max.
Insulation resistance	100 MΩ Min.
Dielectric strength	500 VDC Min.
ENVIRONMENTAL	
Thermal shock	-55°C to +85°C, 5 cycles.
Humidity	96 hours at 40°C with 90% to 95%RH.
Temperature life	85°C for 250 hours.

MECHANICAL	
Durability	1500 cycles
Unmating force	9.8N Min., 39.2N Max.
Temperature	storage -40°C to + 60°C operating 0°C to + 40°C
Vibration	No discontinuities of 1 μs or longer duration.
Mechanical shock	No discontinuities of 1 μs or longer duration.

### ■ PART NUMBERING SYSTEM



■ **DIMENSIONS (UNIT:mm)**



SMT TYPE Single port  
ESB661x10

