

PAS2326MZ50H4G-00-1x

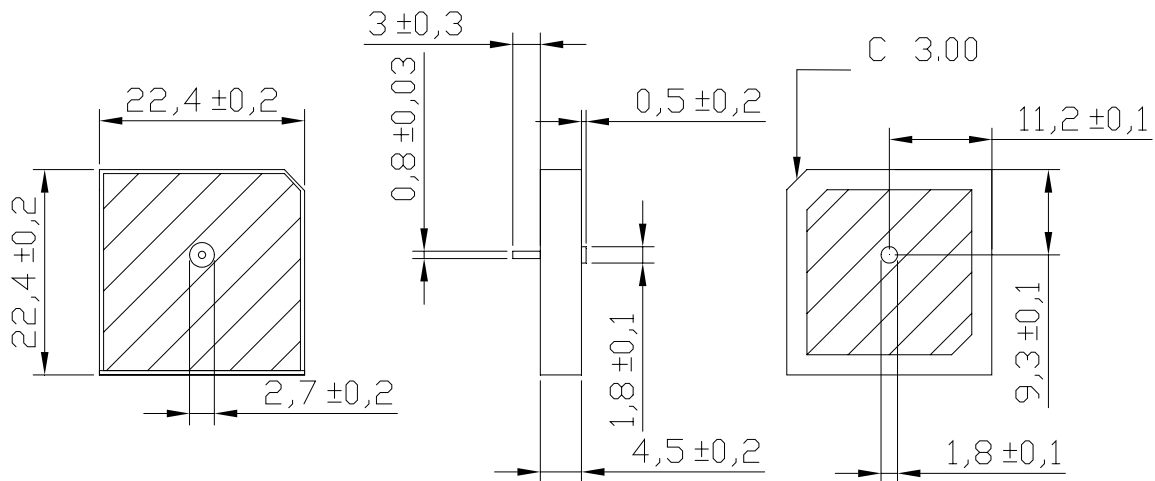
ENGINEERING SPECIFICATION

1. Typical Electrical Properties

Characteristics	Specification	Unit	Conditions
SDARS SIRIUS Frequency	2320~2332.5	MHz	
Center Frequency f_0	2326.25	MHz	with 50mm Square ground plane
Bandwidth	70 min.	MHz	Return Loss \leq -10dB
Gain at Zenith	+5.0 typ.	dBic	
Gain at 10° elevation	-3.0 typ.	dBic	
Polarization	LHCP		
Impedance	50	Ω	
Frequency Temperature Coefficient	0 \pm 20	ppm/ $^{\circ}$ C	-40 $^{\circ}$ C to +85 $^{\circ}$ C

2. Dimension

Unit : mm



UNLESS OTHER SPECIFIED TOLERANCES ON :

X=± X.X=± X.XX=±

ANGLES=± HOLEDIA=±

SCALE : UNIT : mm

DRAWN BY : 陳秋怡 *Joyce* CHECKED BY : 黃月碧 *Tuehke*

DESIGNED BY: 鄭大福 *D.F.* APPROVED BY: 許偉綱 *Ken*

TITLE : PAS2326MZ50H4G-00-1x
ENGINEERING SPECIFICATION



INPAQ TECHNOLOGY CO., LTD.

THIS DRAWINGS AND SPECIFICATIONS ARE THE PROPERTY OF INPAQ TECHNOLOGY CO.,LTD.AND SHALL NOT BE REPRODUCED OR USED AS THE BASIS FOR THE MANUFACTURE OR SALE OF APPARATUS OR DEVICES WITHOUT PERMISSION

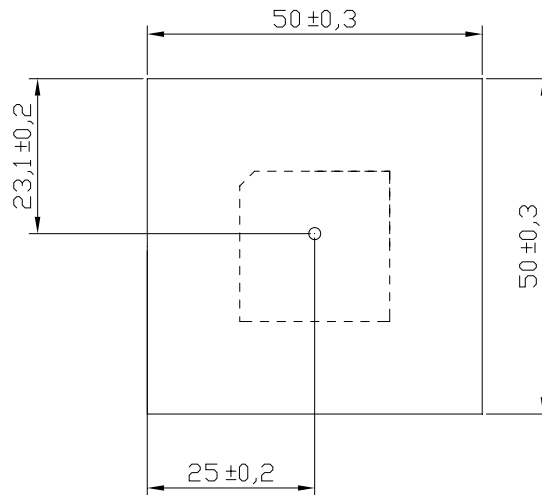
DOCUMENT
NO.

ENS000007470

PAGE REV.
A0

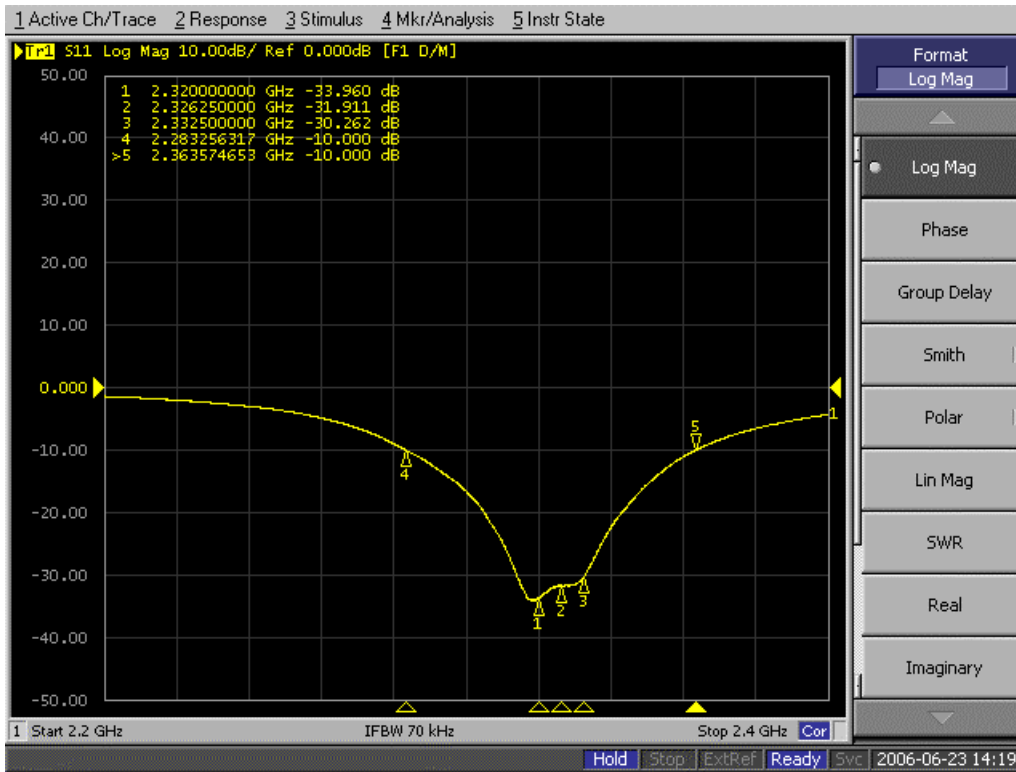
3. Test Condition Ground Plane

Unit : mm



Test PCB Board is 50*50 mm Ground.

4. Return Loss Characteristics



UNLESS OTHER SPECIFIED TOLERANCES ON :

X=± X.X=± X.XX=±
 ANGLES=± HOLEDIA=±



INPAQ TECHNOLOGY CO., LTD.

SCALE :

UNIT : mm

DRAWN BY : 陳秋怡 *Joyce*

CHECKED BY : 黃月碧 *Tuehke*

DESIGNED BY: 鄭大福 *D.F.*

APPROVED BY: 許偉綱 *Ken*

THIS DRAWINGS AND SPECIFICATIONS ARE THE PROPERTY OF INPAQ TECHNOLOGY CO.,LTD.AND SHALL NOT BE REPRODUCED OR USED AS THE BASIS FOR THE MANUFACTURE OR SALE OF APPARATUS OR DEVICES WITHOUT PERMISSION

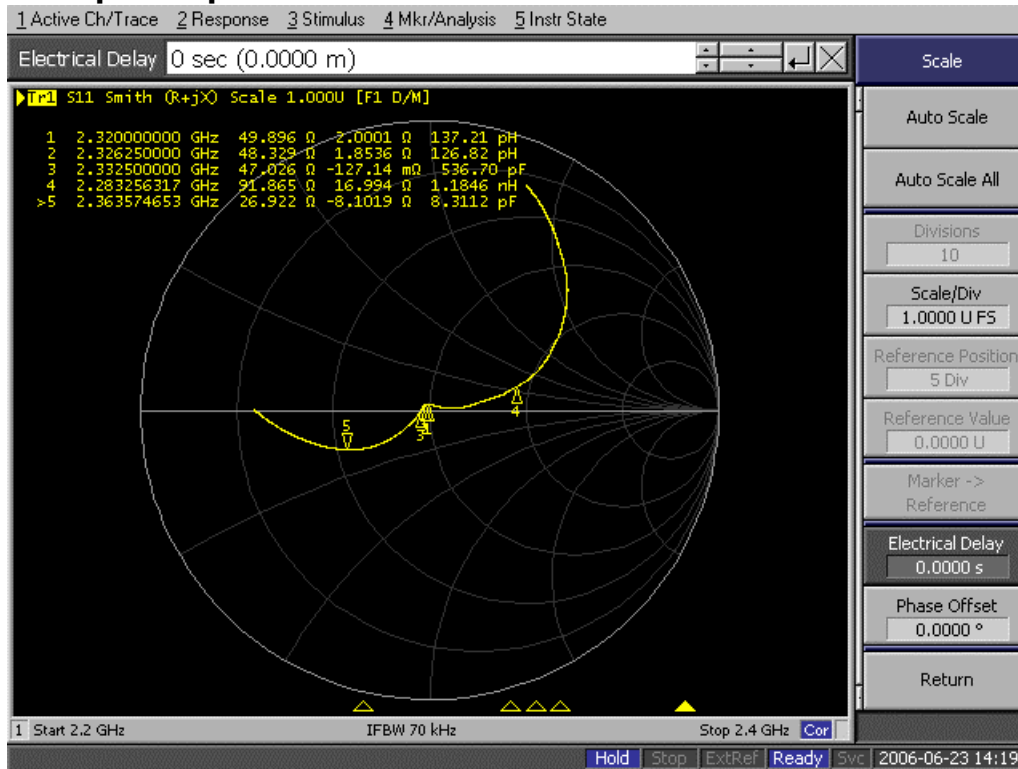
TITLE : PAS2326MZ50H4G-00-1x
 ENGINEERING SPECIFICATION

DOCUMENT NO.

ENS000007470

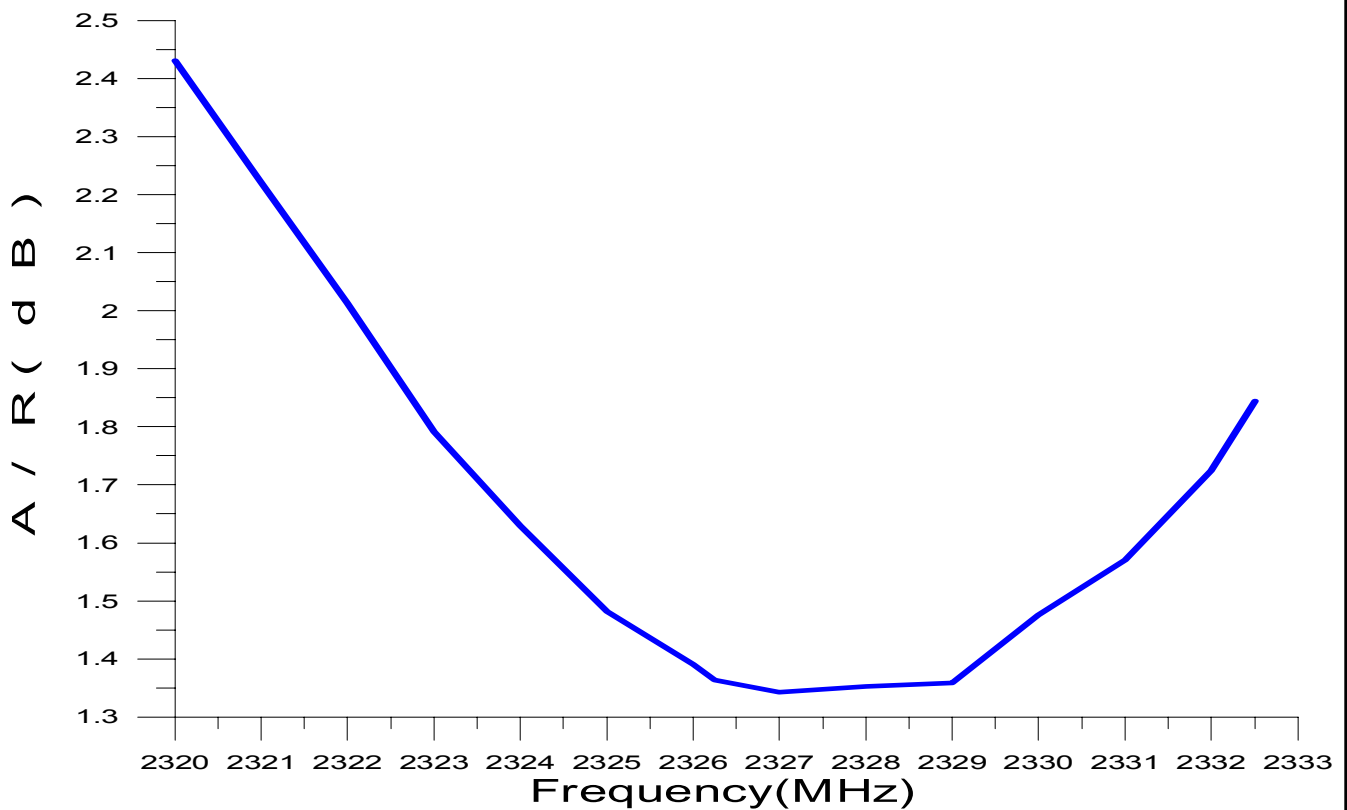
PAGE REV.
A0


5. Measured Input Impedance on a Smith Chart



6. Measured Axial Ratio

Unit : (dB)



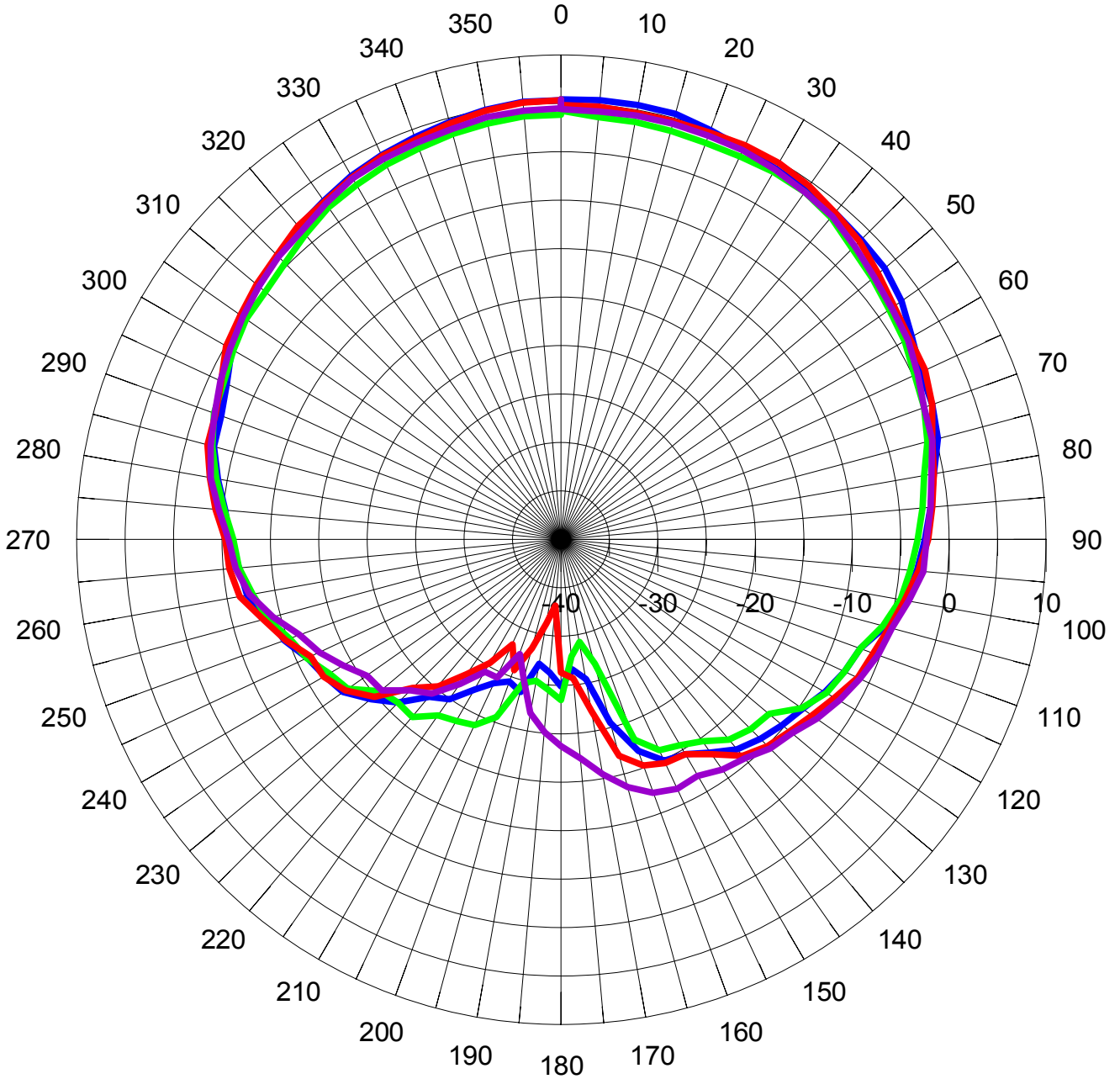
UNLESS OTHER SPECIFIED TOLERANCES ON :		 INPAQ TECHNOLOGY CO., LTD.	
X=±	X.X=±		
ANGLES=±	HOLEDIA=±	THIS DRAWINGS AND SPECIFICATIONS ARE THE PROPERTY OF INPAQ TECHNOLOGY CO.,LTD.AND SHALL NOT BE REPRODUCED OR USED AS THE BASIS FOR THE MANUFACTURE OR SALE OF APPARATUS OR DEVICES WITHOUT PERMISSION	
SCALE :	UNIT : mm		
DRAWN BY : 陳秋怡 <i>Joyce</i>	CHECKED BY : 黃月碧 <i>Tuehke</i>		
DESIGNED BY: 鄭大福 <i>D.F.</i>	APPROVED BY: 許偉綱 <i>Ken</i>		
TITLE : PAS2326MZ50H4G-00-1x ENGINEERING SPECIFICATION		DOCUMENT NO. ENS000007470	PAGE REV. A0

7.Measured Gain Pattern

Unit : (dBic)

The Measurement Gain Pattern at Center Frequency

- 0° Plane
- 45° Plane
- 90° Plane
- 135° Plane



UNLESS OTHER SPECIFIED TOLERANCES ON :

X=± X.X=± X.XX=±
 ANGLES=± HOLEDIA=±



INPAQ TECHNOLOGY CO., LTD.

SCALE : UNIT : mm

DRAWN BY : 陳秋怡 *Joyce* CHECKED BY : 黃月碧 *Tuehbe*

DESIGNED BY: 鄭大福 *D.F.* APPROVED BY: 許偉綱 *Ken*

THIS DRAWINGS AND SPECIFICATIONS ARE THE PROPERTY OF INPAQ TECHNOLOGY CO.,LTD.AND SHALL NOT BE REPRODUCED OR USED AS THE BASIS FOR THE MANUFACTURE OR SALE OF APPARATUS OR DEVICES WITHOUT PERMISSION

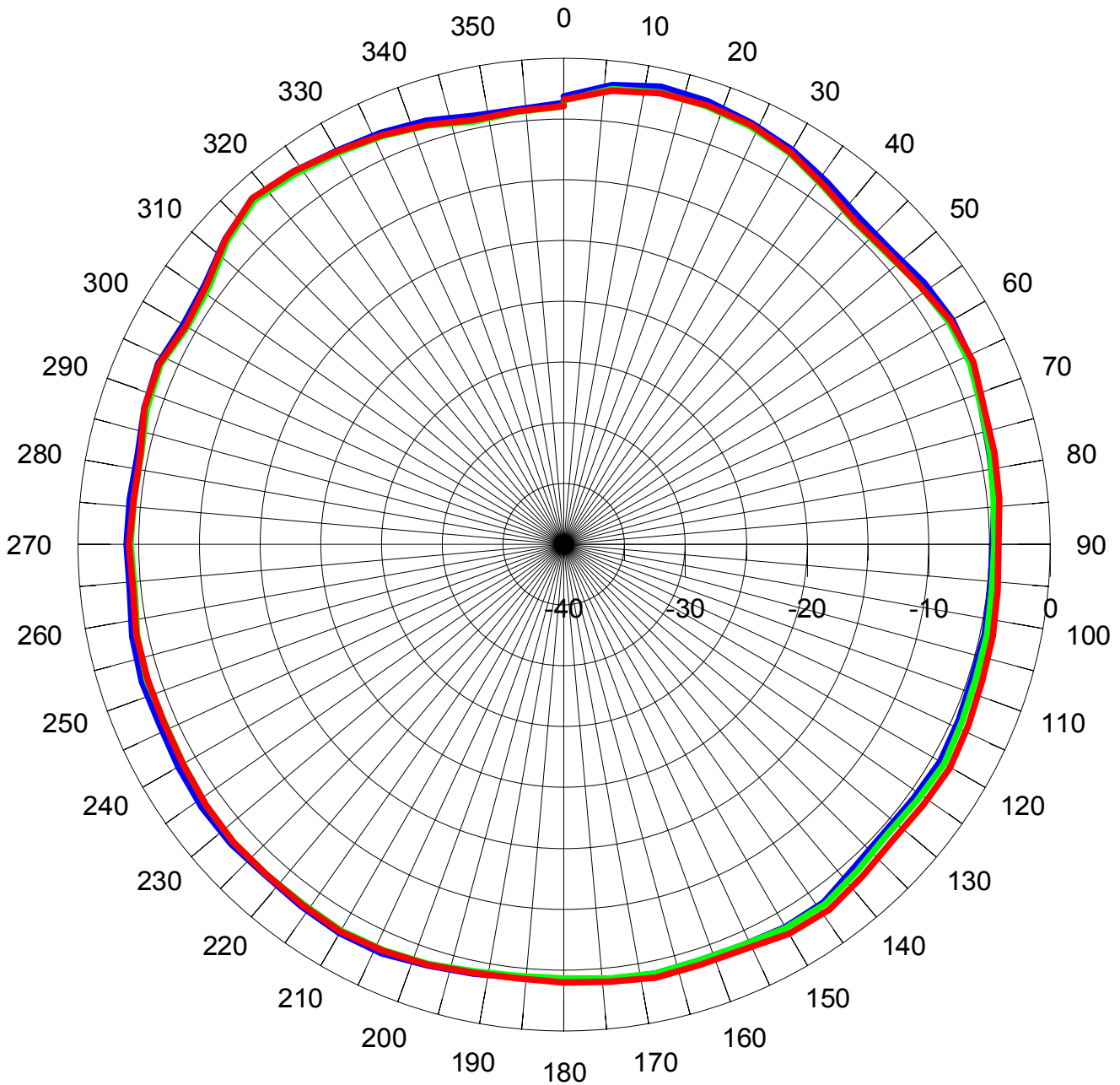
TITLE : PAS2326MZ50H4G-00-1x
 ENGINEERING SPECIFICATION

DOCUMENT NO. **ENS000007470**

PAGE REV.
 A0

8.The Measurement Linear Gain Pattern at 0°~10° Elevation: (Unit : dBi)

The Measurement Linear Gain Pattern at 0~10 elevation
 — 2320 MHz
 — 2326.25 MHz
 — 2332.5 MHz



UNLESS OTHER SPECIFIED TOLERANCES ON :

X=± X.X=± X.XX=±
 ANGLES=± HOLEDIA=±



INPAQ TECHNOLOGY CO., LTD.

SCALE : UNIT : mm

DRAWN BY : 陳秋怡 *Joyce* CHECKED BY : 黃月碧 *Tuehbe*

DESIGNED BY: 鄭大福 *D.F.* APPROVED BY: 許偉綱 *Ken*

THIS DRAWINGS AND SPECIFICATIONS ARE THE PROPERTY OF INPAQ TECHNOLOGY CO.,LTD.AND SHALL NOT BE REPRODUCED OR USED AS THE BASIS FOR THE MANUFACTURE OR SALE OF APPARATUS OR DEVICES WITHOUT PERMISSION

TITLE : PAS2326MZ50H4G-00-1x
 ENGINEERING SPECIFICATION

DOCUMENT NO. **ENS000007470**

PAGE REV.
 A0

9.Explanation of Appendix

P A S 2 3 2 6 M Z 5 0 H 4 G - 0 0 - 1 x

 (1) (2) (3) (4) (5)(6)(7) (8) (9)(10)

- (1) PA:**
Ceramic Patch Antenna Series
- (2) S:**
SDARS SIRIUS/XM Antenna
- (3) 2326MZ:**
2326.25MHz for SDARS SIRIUS Center Frequency
- (4) 50:**
Impedance Matching 50 Ohm
- (5) H:**
H Type Ceramic Patch Antenna
- (6) 4:**
The Thickness of Ceramic Patch Antenna
- (7) G:**
Green parts (RoHS compliance)
- (8) 00:**
Center Frequency shift
- (9) 1:**
The Ping Length is 3 mm
- (10) x:**
Adhesive Tape Specification

UNLESS OTHER SPECIFIED TOLERANCES ON : X=± X.X=± X.XX=± ANGLES=± HOLEDIA=±		 INPAQ TECHNOLOGY CO., LTD.			
SCALE :	UNIT : mm	THIS DRAWINGS AND SPECIFICATIONS ARE THE PROPERTY OF INPAQ TECHNOLOGY CO.,LTD.AND SHALL NOT BE REPRODUCED OR USED AS THE BASIS FOR THE MANUFACTURE OR SALE OF APPARATUS OR DEVICES WITHOUT PERMISSION			
DRAWN BY : 陳秋怡 <i>Joyce</i>	CHECKED BY : 黃月碧 <i>Tuehke</i>				
DESIGNED BY: 鄭大福 <i>D.F.</i>	APPROVED BY: 許偉綱 <i>Ken</i>				
TITLE : PAS2326MZ50H4G-00-1x		DOCUMENT NO.	ENS000007470		
ENGINEERING SPECIFICATION		<table border="1" style="width: 100%; border-collapse: collapse;"> <tr> <td style="padding: 2px;">PAGE REV.</td> </tr> <tr> <td style="padding: 2px; text-align: center;">A0</td> </tr> </table>		PAGE REV.	A0
PAGE REV.					
A0					