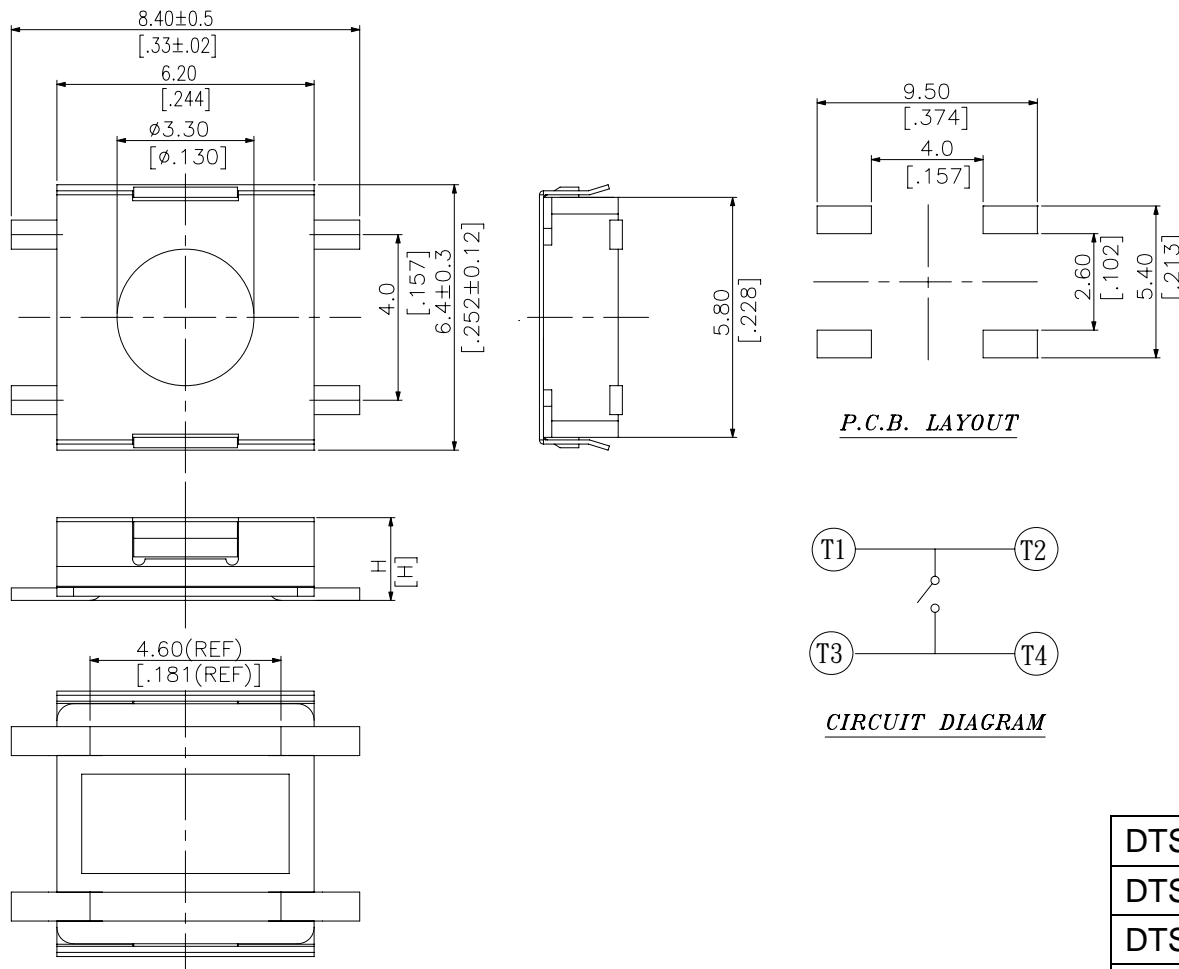


## DTS(G)L-6, DTS(G)F-6 SERIES



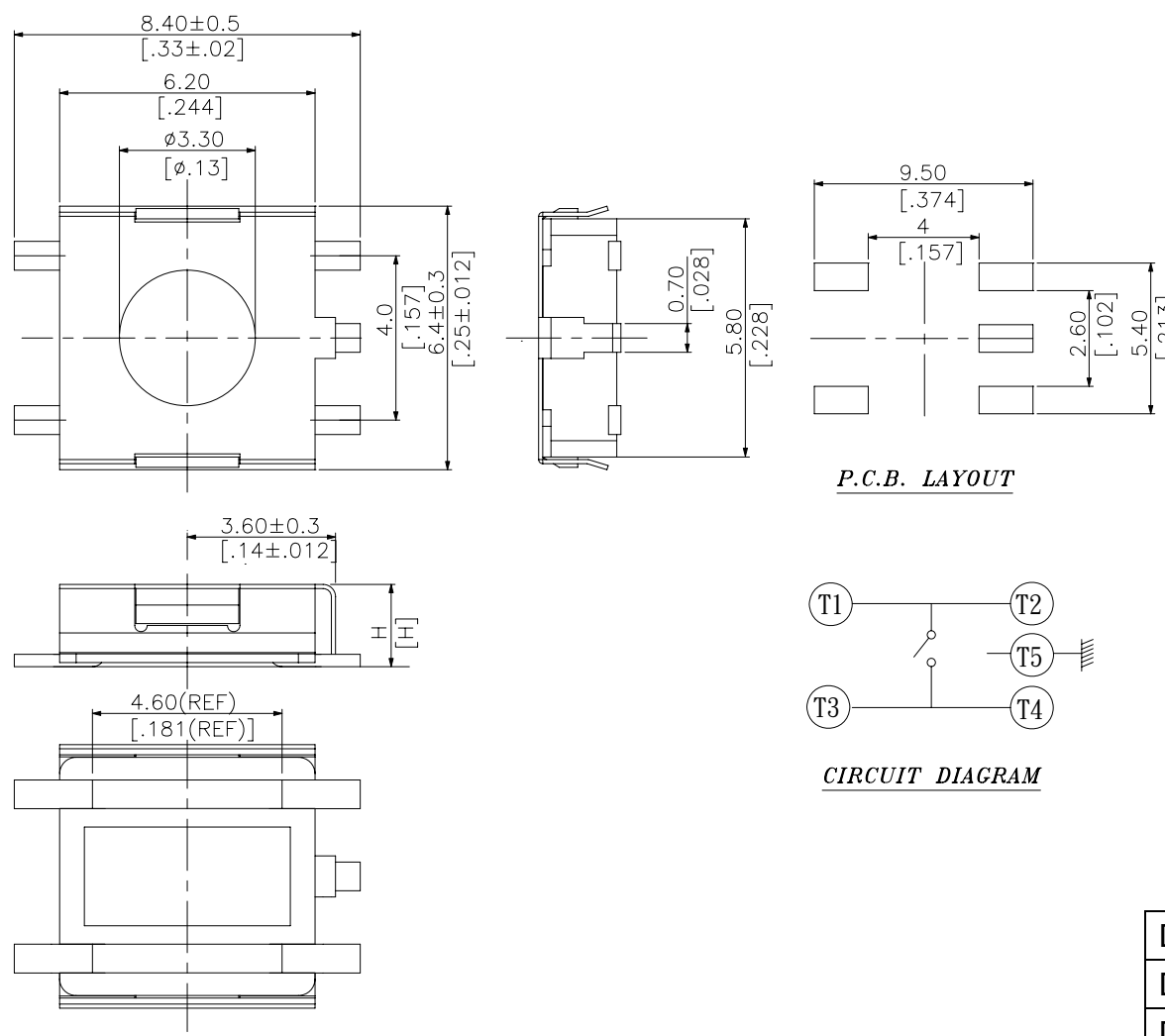
### DIMENSIONS

#### DTSF-6



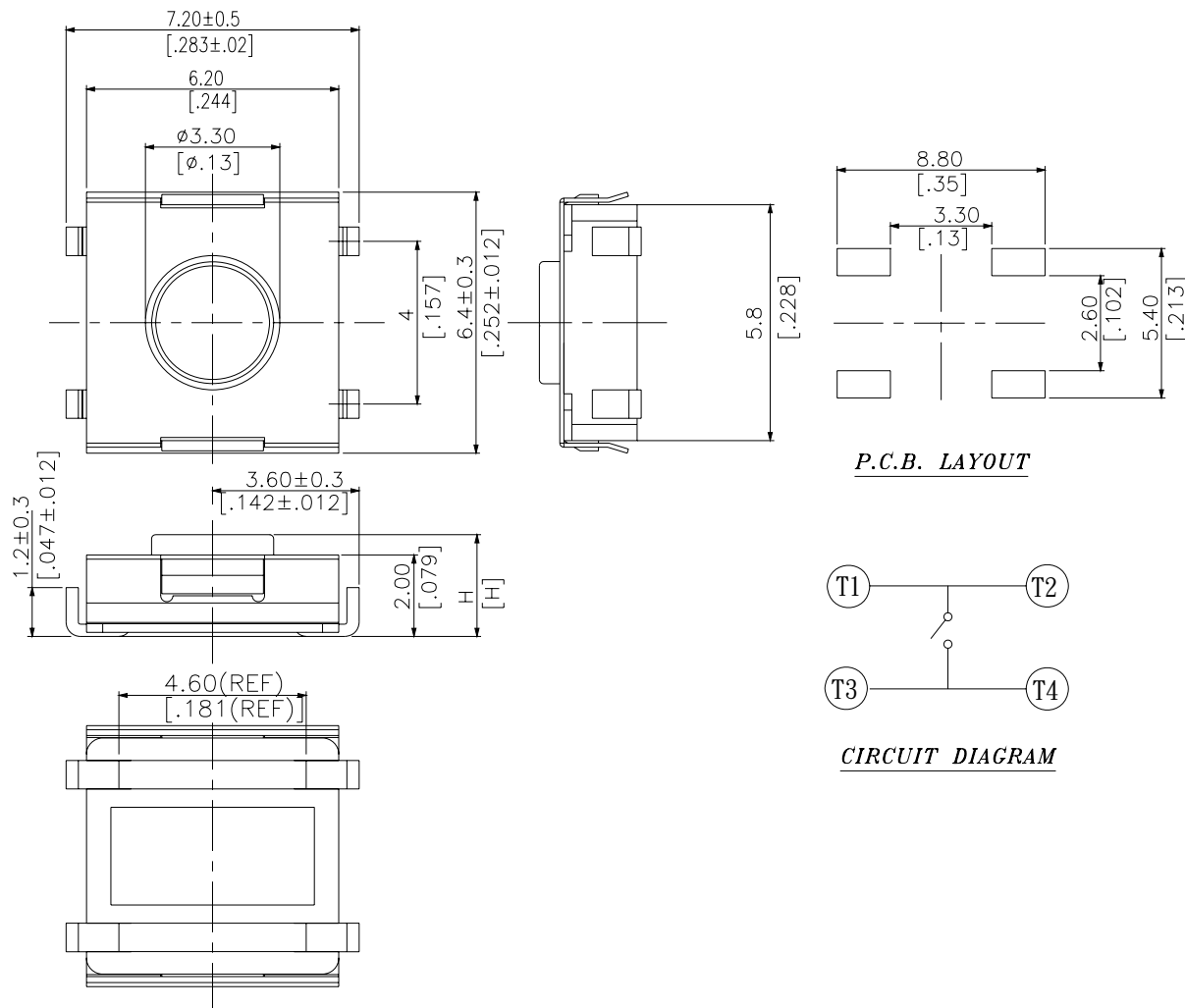
General Tolerance :  $\pm 0.2\text{mm}$

#### DTSGF-6



General Tolerance :  $\pm 0.2\text{mm}$

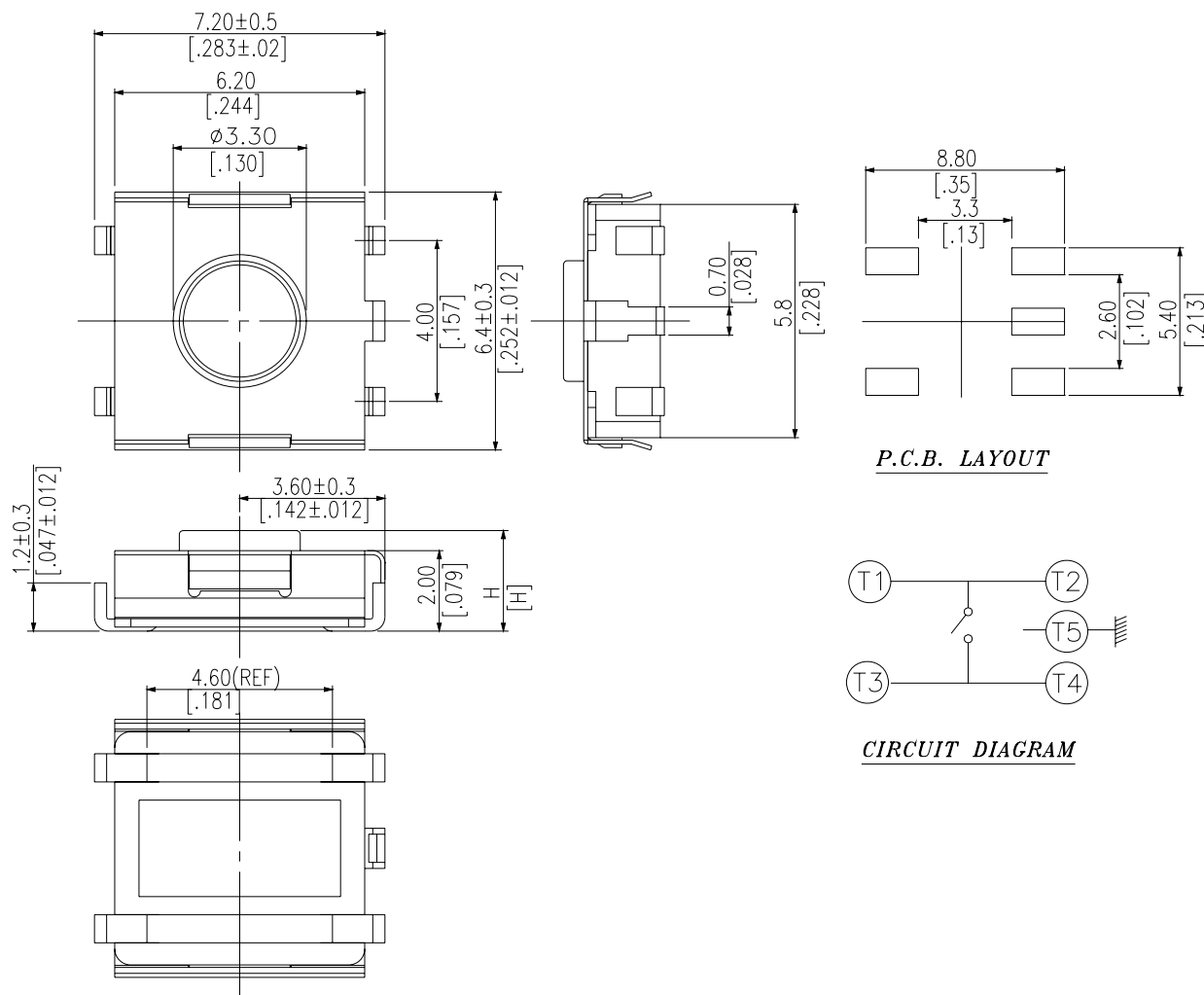
**DTSL-6**



DTSL-62	3.1 [0.122]
DTSL-61	2.5 [0.098]
DTSL-60	2.0 [0.079]
PART NO.	H

General Tolerance :  $\pm 0.2\text{mm}$

**DTSG-6**



DTSG-62	3.1 [0.122]
DTSG-61	2.5 [0.098]
DTSG-60	2.0 [0.079]
PART NO.	H

General Tolerance :  $\pm 0.2\text{mm}$

## HOW TO ORDER

DTS   - 6    -  -

Package Style :

B = Tube

T/R = Tape & Reel

Soldering :

V = Lead Free Solderable

Stem Actuator :

= Soft <Only H : 3.1mm>

P = Hard <Actuator 3.1mm>

Color Of Stem For Operating Force :

K = Black, 100g

N = Brown, 160g

R = Red, 260g

S = White, 320g

Y = Yellow, 52g

N = Brown, 200g <Only Soft actuator>

Total Height :

0 = 2.0mm

1 = 2.5mm

2 = 3.1mm

Terminal Type :

L = J Bend

F = Flat

Prod. Series :

G = With Ground Terminal

= Without Ground Terminal

## SPECIFICATION

### △MECHANICAL

Operation Force: 100±50gf Black(K)  
 160±50gf Brown(N)  
 260±50gf Red(R)  
 320±80gf White(S)  
 520±130gf Yellow(Y)

Stroke: 0.25+0.2/-0.1mm

Operation Temperature: -25°C to +70°C

Storage Temperature: -30°C to +80°C

### △ELECTRICAL

Electrical Life: 300,000 cycles for 320gf, 520gf  
 500,000 cycles for 260gf  
 1,000,000 cycles for 100gf, 160gf, 180gf

Rating : 50 mA , 12 VDC

Contact Resistance : 100mΩ max

Insulation Resistance : 100MΩ min , at 500 VDC

Dielectric Strength : 250 VAC / 1minute

Contact Arrangement : 1 pole 1 throw

## MATERIAL

△COVER: Stainless steel ( DTSL.F-6 )

Nickel Silver ( DTSG.L.F-6 )

△BASE: UL 94V-0 Nylon High-temp thermoplastic

Color: Black

△CONTACT DISC: Stainless steel

△TERMINAL: Brass with silver plated

△STEM : UL94V-0 Nylon High-temp Thermoplastic

Color : Black(100gf) , Brown(160gf) , Red(260gf) ,  
 White(320gf) , Yellow(520gf)

Silicon Rubber Color : Brown (200gf)

## SOLDERING CONDITIONS

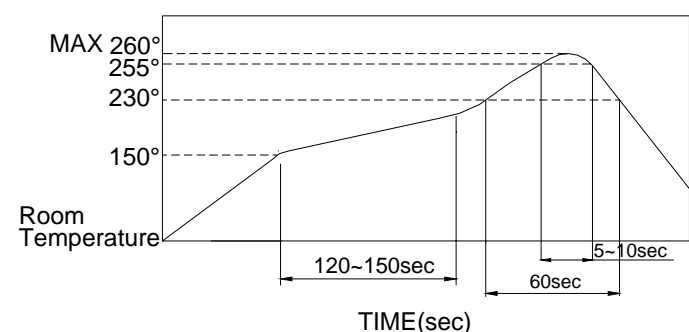
△HAND SOLDERING : Use a soldering iron of 30 watts, Temperature Profile :

controlled at 350°C approximately max 5 seconds while applying solder.

△REFLOW SOLDERING : When applying reflow

Soldering , the peak temperature or the reflow oven should be set to 260°C max. Condition for soldering.

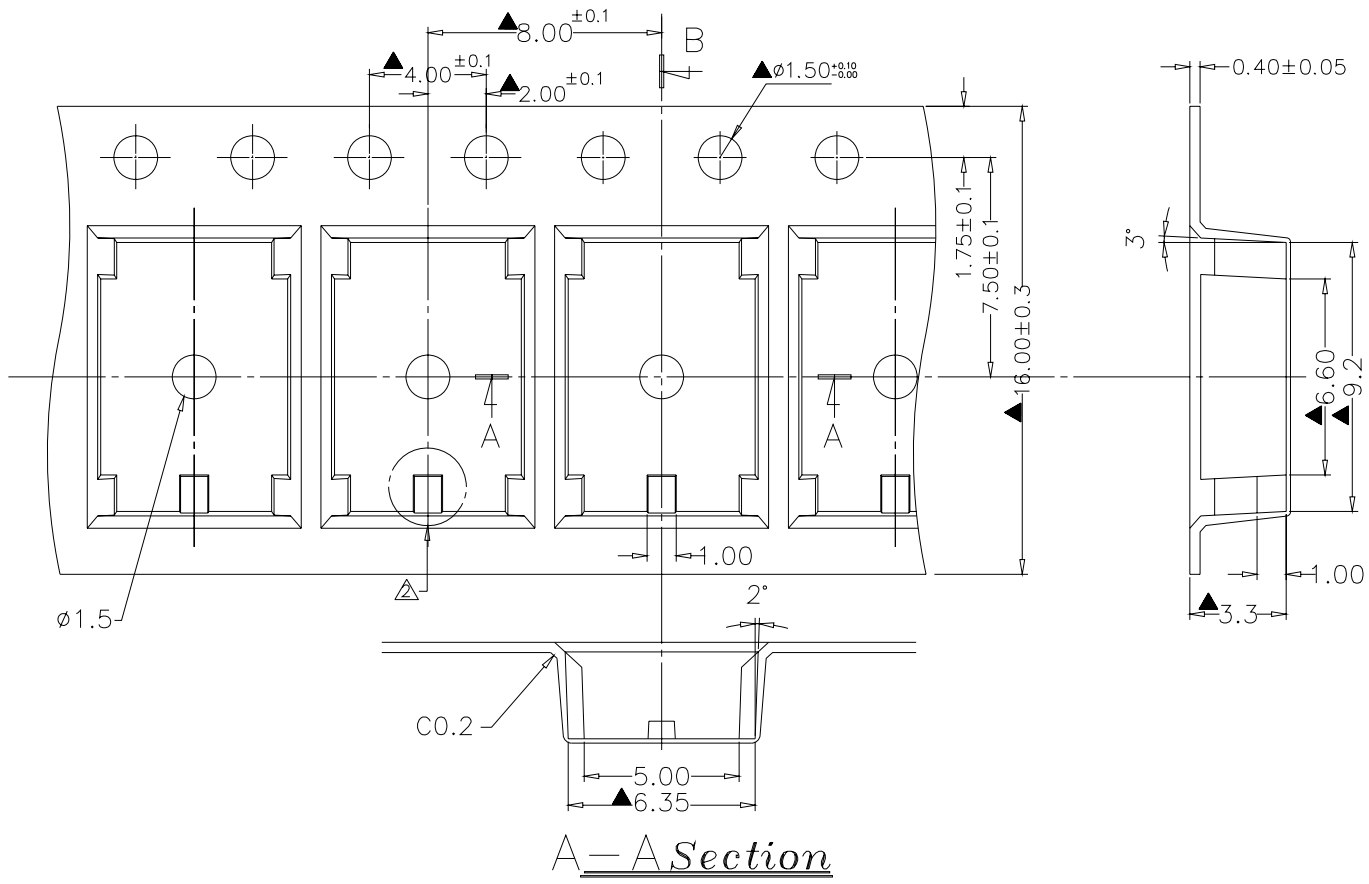
( Reflow & Non-washable type )



# PACKING

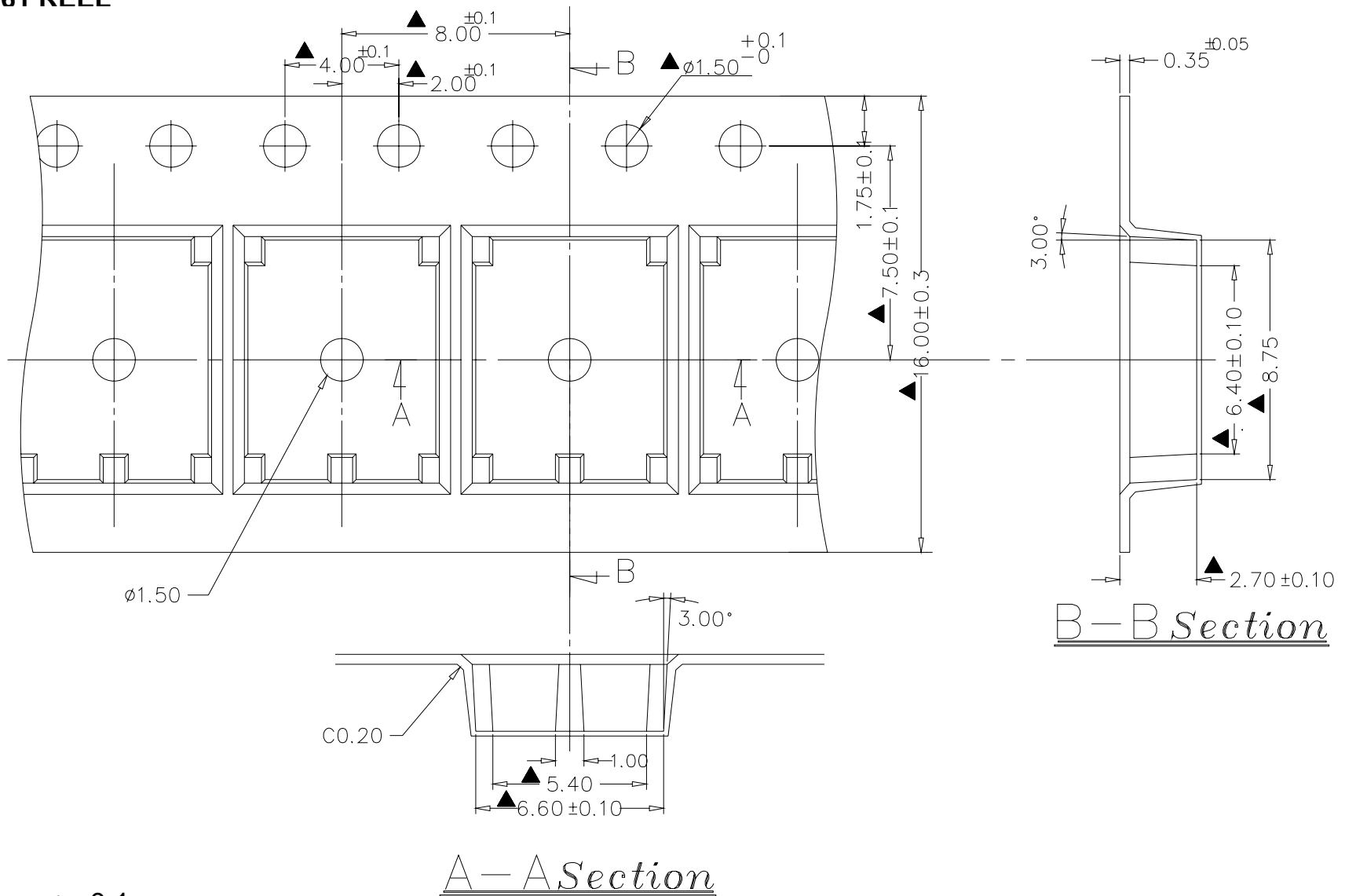
Part Number	Number Per Tube	Number Per Reel
DTS(G)L-60(1)	75	2700
DTS(G)F-60(1)	75	3000
DTS(G)L-62	75	2500
DTS(G)F-62	75	2500

## DTS(G)L、F-62 REEL



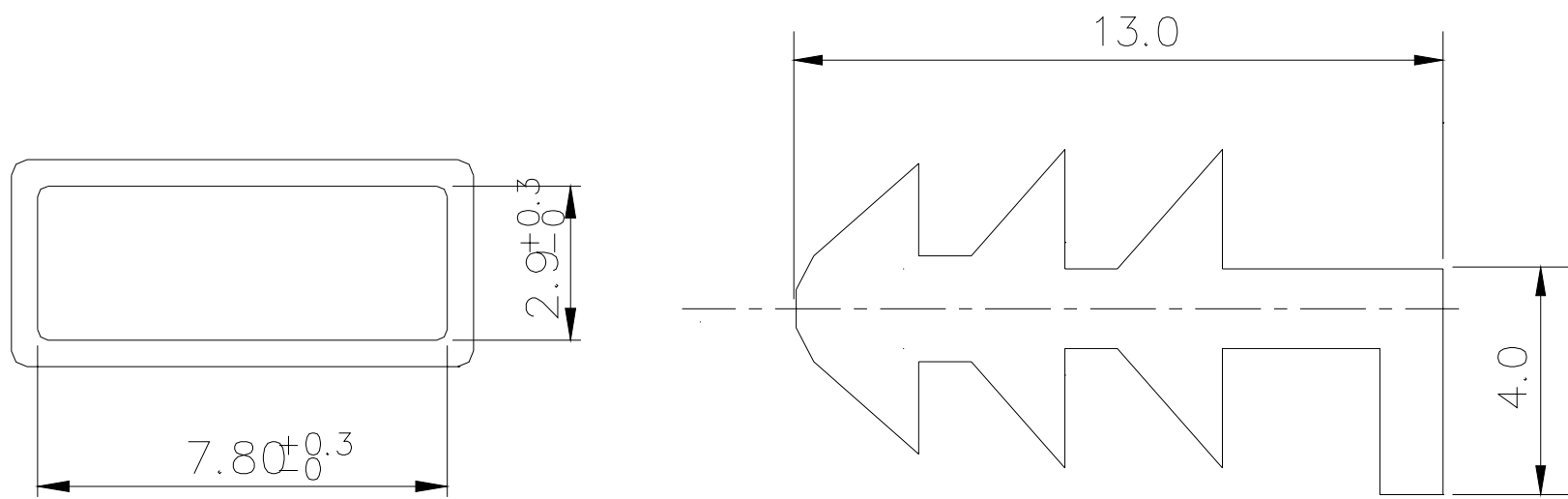
General Tolerance :  $\pm 0.1\text{mm}$

## DTS(G)L、F-60、61 REEL



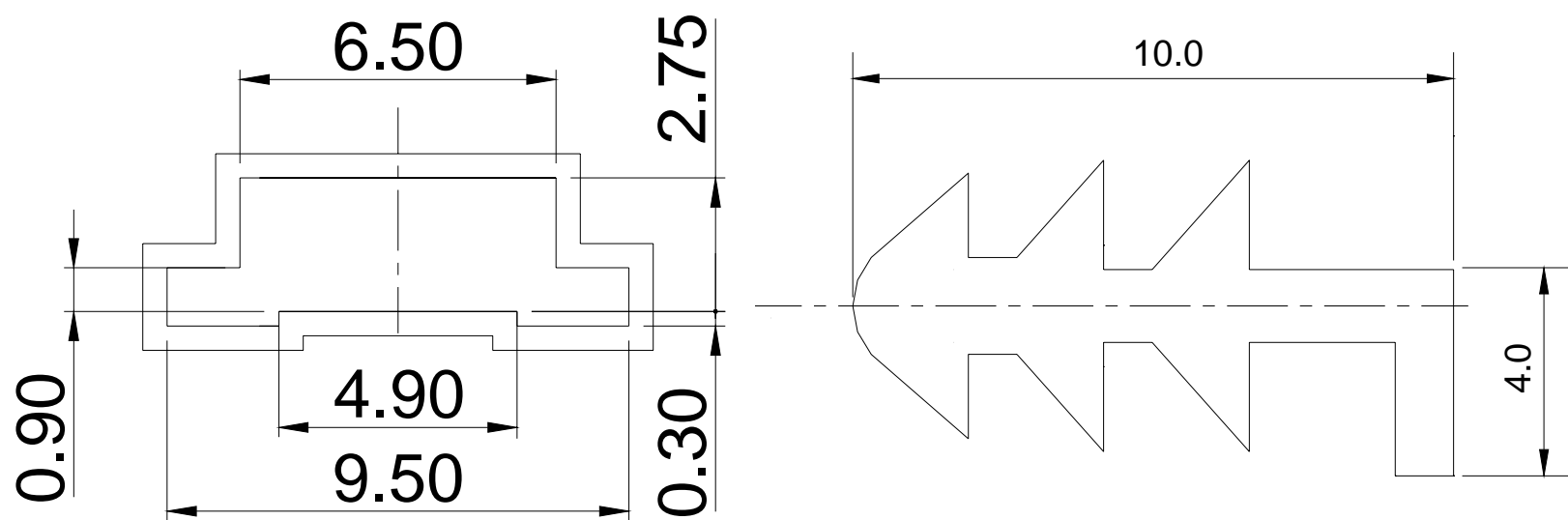
General Tolerance :  $\pm 0.1\text{mm}$

**DTS(G)L-6 TUBE**



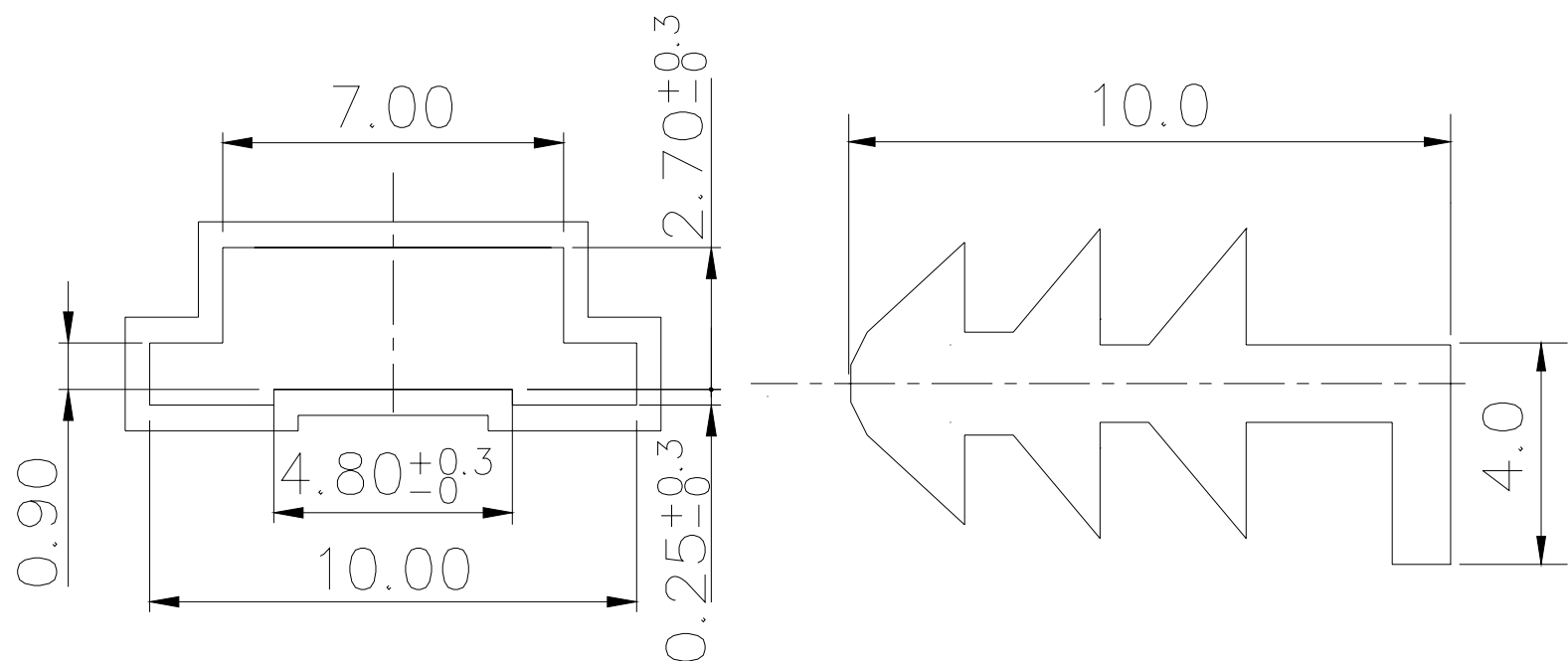
General Tolerance :  $\pm 0.2$ mm

**DTSF-60、61 TUBE**



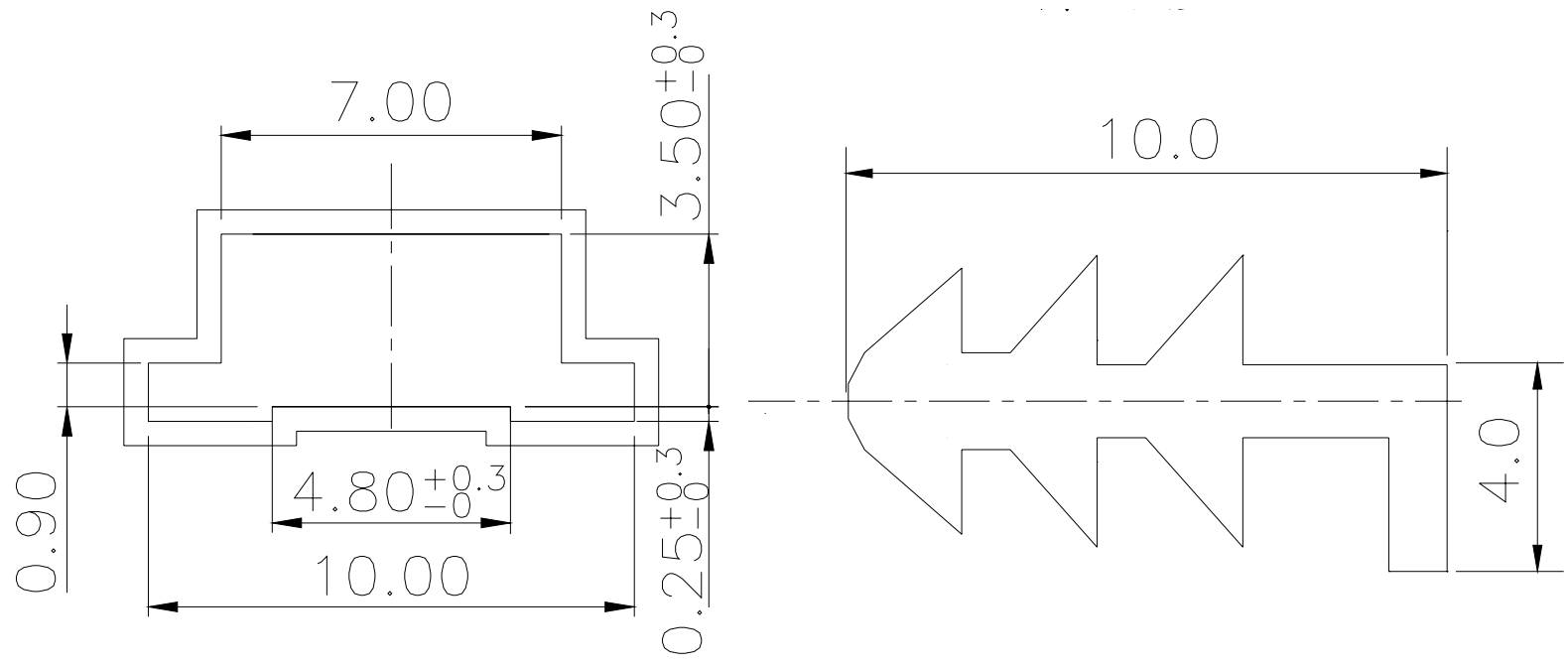
General Tolerance :  $\pm 0.2$ mm

**DTSGF-60、61 TUBE**



General Tolerance :  $\pm 0.2$ mm

DTS(G)F-62 TUBE



General Tolerance :  $\pm 0.2\text{mm}$