

DC POWER JACK EPJ3 SERIES

■ FEATURES

- Compact design
- Applied on audio systems and electronic apparatus
- All materials are UL 94V-O grade fire retardant plastics
- Applied on the high temperature plastic for reflow soldering process

■ SPECIFICATIONS

- Contact rating: Rated Voltage: 5VDC
Rated Current: 2A, DC
- Temperature rating: Operating temperature range: $-25^{\circ}\text{C} \sim +85^{\circ}\text{C}$

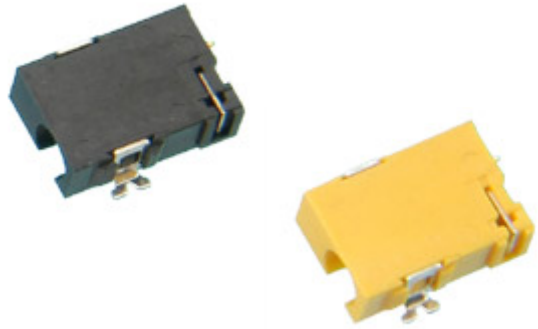
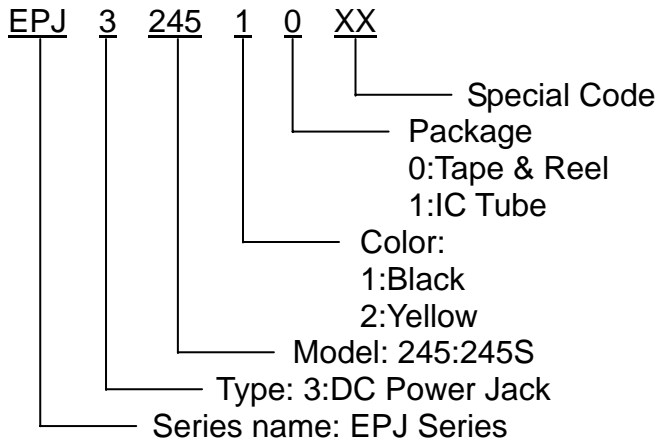
1. Electrical

No.	Test description	Requirement	Test method
1	Insulation resistance	100M Ω Min.	(1)Test voltage: 250VDC \pm 10VDC (2)Point: Between open contact.
2	Dielectric strength	No disruptive discharge Leakage current: 2mA Max.	(1)Test voltage: 250VAC (2)Duration: 60sec. (3)Point: Between open contact.
3	Contact resistance	PLUG TO CONTACT: Initial: 50m Ω Max. After life: 100m Ω Max. CONTACT TO SHUNT: Initial: 30m Ω Max. After life: 60m Ω Max	(1)4 terminals method (2)Test current: 1A, DC

2. Mechanical

No.	Test description	Requirement	Test method
1	Mating/unmating force	Initial: 0.3~2.0Kgf (3~20N) Max. After life: 0.2~2.0Kgf (2~20N) Max.	To measure necessary for plug and jack mating/unmating
2	Terminal strength	Any outstanding damage shall not be found. Bend of terminal is acceptable.	Test condition: 0.5kgf(5N) 10sec.

■ PART NUMBERING SYSTEM



■ DIMENSIONS

DC POWER JACK DIMENSIONS Unit:mm(inch)

