

Dual Band Dipole Antenna_RP-SMA(M)(Black) _for DAML0CR10001202

1. Explanation of Part Number

DAM L0 C R1 000 12 02
 (1) (2) (3) (4) (5) (6) (7)

- (1) Product type : DAM-Dipole Antenna Module
 - (2) Appearance Series : L0
 - (3) Frequency : C =2.4G & 5G
 - (4) Coaxial Cable Specification : R1=RG178
 - (5) Coaxial Cable Length : 000=無長度
 - (6) Connector Types :12=大 SMA 公頭母 PIN
 - (7) Suffix for special requirements : 02=without cable
- ※ RoHS Compliant

2. Electrical properties:

Item	Property
Frequency Range	2.4~2.5 & 5.15~5.35 & 5.725~5.85GHz
Impedance	50 Ω (Typ.)
VSWR	2.0 max.
Return Loss	-10 dB max.
Peak Gain	2.0 dBi (Typ.)
Polarization Type	Linear
Type of Radiation	Toroidal
Admitted Power	1 W
Electrical Wave	1/2 dipole

UNLESS OTHER SPECIFIED TOLERANCES ON :

X = X.X = X.XX =
 ANGLES = ± HOLEDIA = ±



INPAQ TECHNOLOGY CO., LTD.

SCALE :

UNIT : mm

DRAWN BY : 楊奇峰 *eyey* 代

CHECKED BY : 蘇皓昌 *蘇皓昌*

THIS DRAWINGS AND SPECIFICATIONS ARE THE PROPERTY OF INPAQ TECHNOLOGY CO.,LTD.AND SHALL NOT BE REPRODUCED OR USED AS THE BASIS FOR THE MANUFACTURE OR SALE OF APPARATUS OR DEVICES WITHOUT PERMISSION

DESIGNED BY : 吳國璋 *Joy*

APPROVED BY : 許倬綱 *Ken*

TITLE : Dual Band Dipole Antenna _RP-SMA(M)(Black)
for DAML0CR10001202

DOCUMENT NO.

ENS000009110

PAGE REV.

A0

Figure 1. VSWR

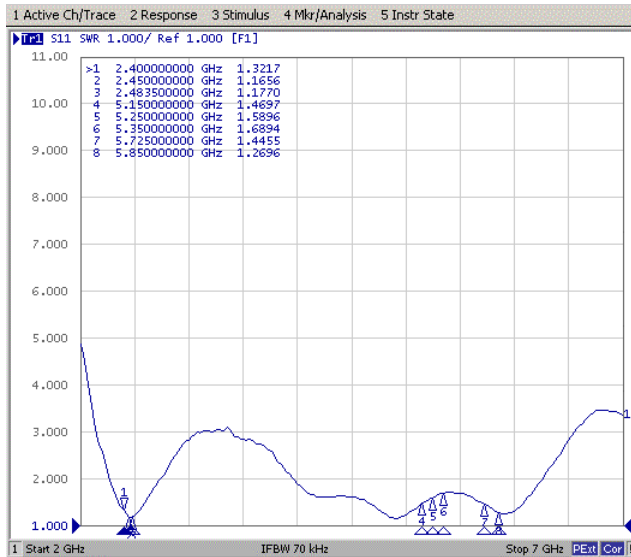


Figure 2. Return Loss

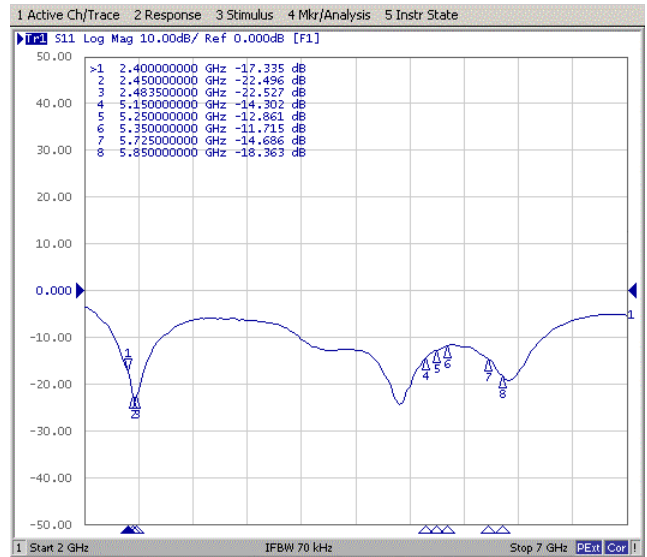
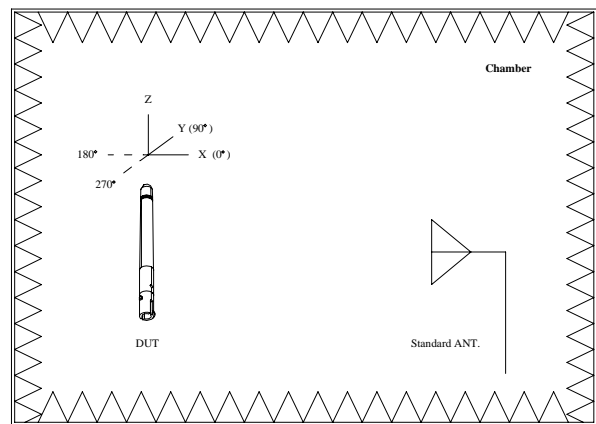


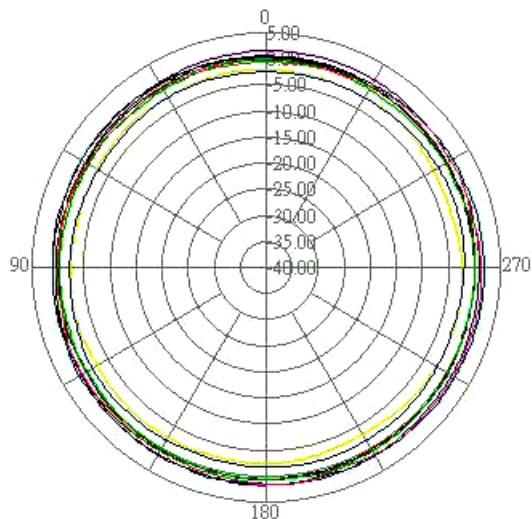
Figure 3. Gain Pattern

The Gain pattern was measuring in INPAQ's FAR-field chamber. DUT will be placed on the table of rotator, a standard horn antenna and Vector Network Analyzer was using to collected data. (Please contact to INPAQ for more detail)

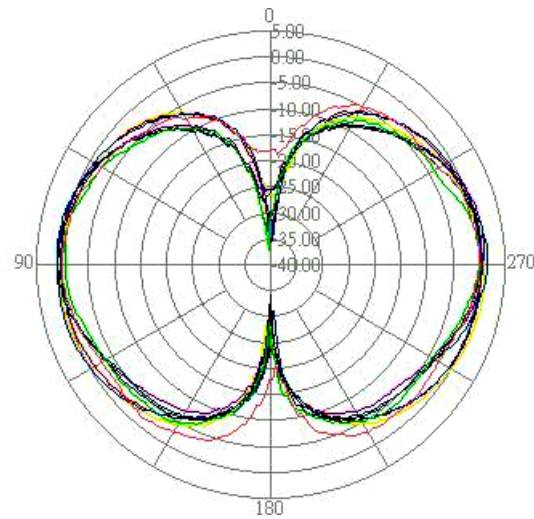
- Measuring factors definition



H-plane (Vertical)



E-plane (Horizontal)



UNLESS OTHER SPECIFIED TOLERANCES ON :
 X = X.X = X.XX =
 ANGLES = ± HOLEDIA = ±



INPAQ TECHNOLOGY CO., LTD.

SCALE :

UNIT : mm

DRAWN BY : 楊奇峰 *eyey* 代

CHECKED BY : 蘇皓昌 *蘇皓昌*

DESIGNED BY : 吳國璋 *Jay*

APPROVED BY : 許倬綱 *Ken*

THIS DRAWINGS AND SPECIFICATIONS ARE THE PROPERTY OF INPAQ TECHNOLOGY CO.,LTD.AND SHALL NOT BE REPRODUCED OR USED AS THE BASIS FOR THE MANUFACTURE OR SALE OF APPARATUS OR DEVICES WITHOUT PERMISSION

TITLE : Dual Band Dipole Antenna _RP-SMA(M)(Black)
 for DAML0CR10001202

DOCUMENT NO.

ENS000009110

PAGE REV.

A0

3. Mechanical properties:

Item	Property
Color	Black
Coaxial-Cable	RG-178
Housing	TPU
Hinge	PC+Alloy
Connector	RP-SMA(M)
Core	N/A

Operating Temperature : -20~+65°C

Storage Temperature : -40~+80°C

4. Environmental Characteristics:

No	Item	Test Condition	Specification
4-1	High Temperature/Humidity	1.Temperature : +60±2 . 2.Humidity : 90~95%RH 3.Time : 24hrs	1. Normal functional test must be satisfied after the test. 2. No material deformation is allowed.
4-2	Low Temperature/Humidity	1.Temperature : -20±2 . 2.Humidity : 0%RH 3.Time : 24hrs	
4-3	High Temperature/Humidity Storage	1.Temperature : +80±2 . 2.Humidity : 90~95%RH 3.Time : 88hrs	
4-4	Low Temperature/Humidity Storage	1.Temperature : -40±2 . 2.Humidity : 0%RH 3.Time : 28hr	
4-5	Temperature Cycle Operating Test	1.Temperature : -40~+75 2.Duration : ●88 Hours, ●45min/dwelling -40 , ●10 per min./transition from -40 to 75 , ●45min/dwelling 75 ,	
4-6	Temperature Shock Test	1.Temperature : -40± ~+75 . 2.Time : 30 minutes/dwelling, 5 minutes/ transition, 24 cycles	

UNLESS OTHER SPECIFIED TOLERANCES ON :

X = X.X = X.XX =
ANGLES = ± HOLEDIA = ±



INPAQ TECHNOLOGY CO., LTD.

SCALE : UNIT : mm

DRAWN BY : 楊奇峰 *eyey* 代 CHECKED BY : 蘇皓昌 *蘇皓昌*

DESIGNED BY : 吳國璋 *Joy* APPROVED BY : 許倬綱 *Ken*

THIS DRAWINGS AND SPECIFICATIONS ARE THE PROPERTY OF INPAQ TECHNOLOGY CO.,LTD.AND SHALL NOT BE REPRODUCED OR USED AS THE BASIS FOR THE MANUFACTURE OR SALE OF APPARATUS OR DEVICES WITHOUT PERMISSION

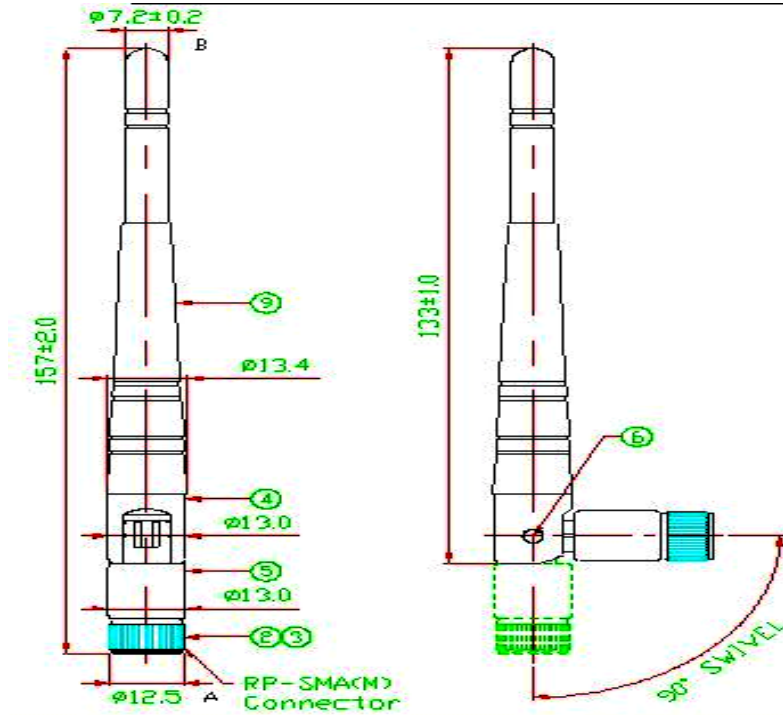
TITLE : Dual Band Dipole Antenna _RP-SMA(M)(Black)
for DAML0CR10001202

DOCUMENT NO.

ENS000009110

PAGE REV.
A0

5. Physical Dimension: (unit: mm)

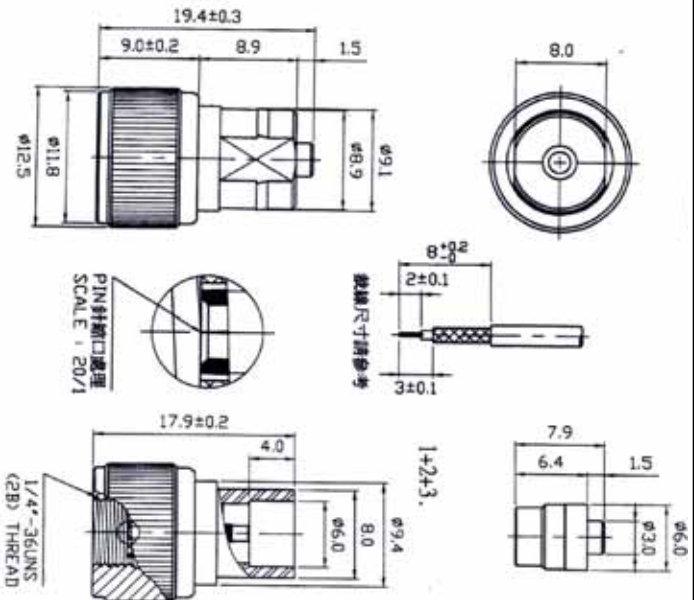


Tolerances:

X	± 0.5
X.X	± 0.3
X.XX	± 0.1
Angular	± 5.0°

Tolerances:

X	± 0.15
X.X	± 0.1
X.XX	± 0.05
Angular	± 1.0°



Note: Marked symbol is important dimension

#	材料名稱	顏色
1	RG178 Coaxial Cable	橙
2	RP-SMA Φ12.5 本體, 銅, 鍍黑鉻 (Pin 磷氮銅/鍍金, 絕緣 鐵氟龍/白色)	黑
3	RP-SMA Φ12.5 連接軸, 鍍銀	銀
4	13Φ 上座*28L, 黑(孔 15.2*7.25)	黑
5	13Φ 下座 25.5L PC+PBT(黑)<天線用>	黑
6	固定铆釘(黑鋅)<大> 4.80*1.95Φ	黑
7	銅管 5.2Φ* 22L for 178 銅管<平頭>	銀
8	銅管 4.8Φ* 24L<平頭>	銀
9	熱縮套管 F34 5.0 黑 L=20mm	黑
10	外套 L115<黑> 13.4Φ*115L	黑

UNLESS OTHER SPECIFIED TOLERANCES ON :

X = X.X = X.XX =
 ANGLES = ± HOLEDIA = ±

SCALE : UNIT : mm

DRAWN BY : 楊奇峰 *eyey* 代 CHECKED BY : 蘇皓昌 *蘇皓昌*

DESIGNED BY : 吳國璋 *Joy* APPROVED BY : 許倬綱 *Ken*

TITLE : Dual Band Dipole Antenna _RP-SMA(M)(Black)
 for DAML0CR1001202



INPAQ TECHNOLOGY CO., LTD.

THIS DRAWINGS AND SPECIFICATIONS ARE THE PROPERTY OF INPAQ TECHNOLOGY CO.,LTD.AND SHALL NOT BE REPRODUCED OR USED AS THE BASIS FOR THE MANUFACTURE OR SALE OF APPARATUS OR DEVICES WITHOUT PERMISSION

DOCUMENT NO.

ENS000009110

PAGE REV.
A0