

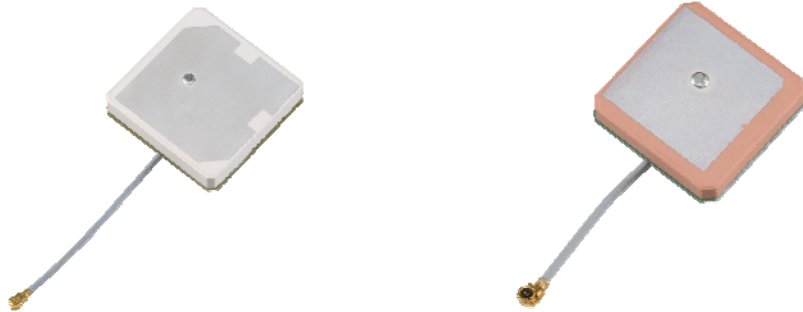
# Active Antenna

## Specification

Type	Multi-Function
Part No	B3G02N-S3-01-A GPSGLONASS03N-S3-03-A GPSGLONASS08N-S3-03-A GPS401N-S3-00-A

<b>Product name</b>	<b>(GPS+Glonass+Compass)</b> <b>B3G02N-S3-01-A</b>	<b>(GPS+Glonass)</b> <b>GPSSGIONASS03N-S3-03-A</b>
---------------------	---	---

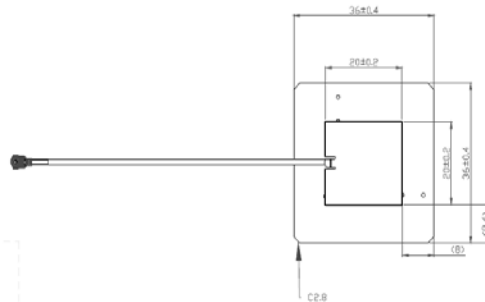
**Appearance**



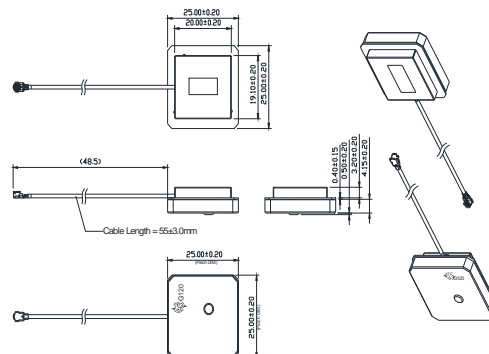
**Specification**

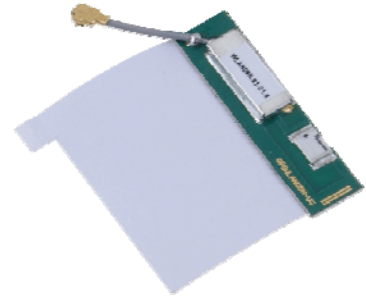
<b>Frequency Range (MHz)</b>	1558~1615	1575~1615
<b>Gain (dB)</b>	1561.098 MHz:25±3	
	1575.42 MHz:27±3	1575.42MHz:27±3 (at 3.0±0.1V)
	1602 MHz:27±3	1602MHz:27±3 (at 3.0±0.1V)
	1606 MHz:27±3	
<b>Noise Figure (dB)</b>	2.0 typ.	2.0 typ.
<b>Filter Outband attenuation</b>	32dB typ. fo±50MHz	37.0dB typ. fo±100MHz
	45dB typ. fo±100MHz	(fo=1575.42MHz~1602MHz)
<b>Output V.S.W.R</b>	2.0 max.	2.5 max.
<b>Voltage (V)</b>	3.3±0.6	3.0±0.6
<b>Current (mA)</b>	10±3 (at 3.3±0.1 V)	9±3 (at 3.0±0.1V)
<b>Dimension (mm)</b>	a. 49.14 x 46.14 x 15.94	b. 25 x 25 x 8.25

**a**



**b**



**Product name**
**(GPS+Glonass)**  
**GPSGIONASS08N-S3-03-A**
**(GPS+Glonass)**  
**GPS401N-S3-00-A**
**Appearance**

**Specification**

Frequency Range (MHz)	1575~1615	1575~1615
Gain (dB)	1575.42 MHz:27±3 1602 MHz:27±3	1593 MHz:19±3
Noise Figure (dB)	2.0 typ.	2.0 typ.
Filter Outband attenuation	34dB typ. fo±50MHz 49dB typ. fo±100MHz (fo=1593MHz)	NA
Output V.S.W.R	2.0 max.	NA
Voltage (V)	3.3±0.6	3.0±0.3
Current (mA)	8±3 (at 3.3±0.1V)	4±1.5
Dimension (mm)	a. 70 x 46 x 9	b. 30.0 x 8.0 x 2.5

