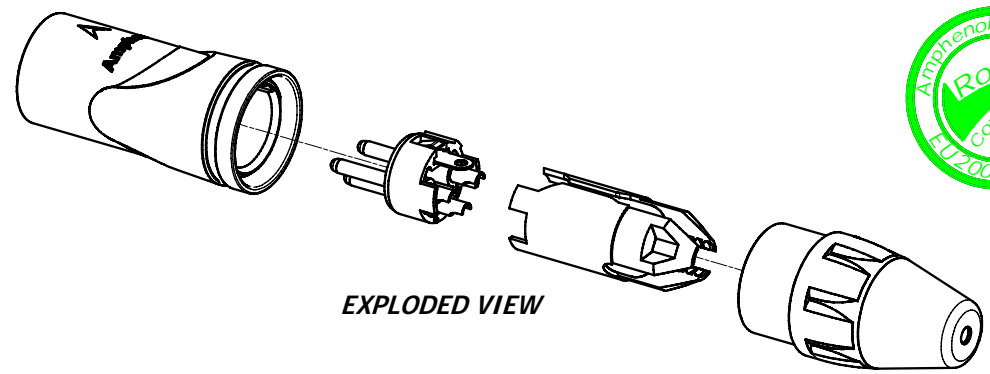
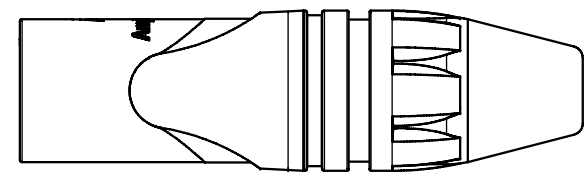
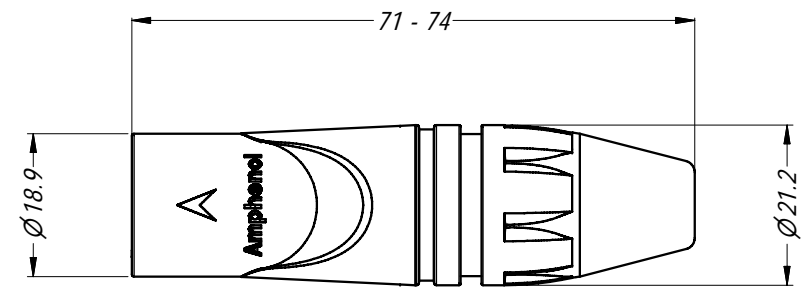
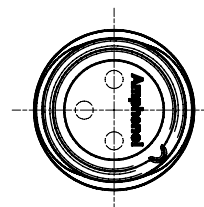


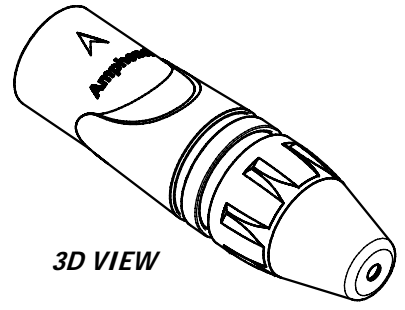
**PART NUMBER BREAKDOWN**

***AX3MB1-AU BULK***

<p><b>SERIES PREFIX</b>                  AX3M = 3 PIN MALE                  AX4M = 4 PIN MALE                  AX5M = 5 PIN MALE</p>
<p><b>SHELL FINISH</b>                  BLANK = NICKEL PLATED                  B = BLACK</p>
<p><b>SLEEVE COLOR</b>                  BLANK = BLACK                  1 = BROWN                  2 = RED                  3 = ORANGE                  4 = YELLOW                  5 = GREEN                  6 = BLUE                  7 = VIOLET                  8 = GREY                  9 = WHITE                  C = CLEAR</p>
<p><b>CONTACT PLATING</b>                  BLANK = SILVER PLATE                  AU = GOLD PLATE</p>
<p><b>PACKAGING</b>                  BLANK = INDIVIDUAL BAGS                  BULK = BULK PACKED</p>



**EXPLODED VIEW**



**3D VIEW**

<p>UNLESS OTHERWISE SPECIFIED TOLERANCE TO BE</p> <table border="1"> <thead> <tr> <th>LINEAR</th> <th>ANGULAR</th> </tr> </thead> <tbody> <tr> <td>X ± 0.5</td> <td>X° ± 1</td> </tr> <tr> <td>X.X ± 0.1</td> <td>X.X° ± 30°</td> </tr> <tr> <td>X.XX ± 0.05</td> <td>X.XX° ± 15°</td> </tr> </tbody> </table>		LINEAR	ANGULAR	X ± 0.5	X° ± 1	X.X ± 0.1	X.X° ± 30°	X.XX ± 0.05	X.XX° ± 15°	<p>THIS DOCUMENT IS THE PROPERTY OF AMPHENOL AUSTRALIA PTY. LTD.                  NO PART THEREOF MAY BE REPRODUCED AND USED WITHOUT THE PRIOR WRITTEN CONSENT OF THE OWNER</p>				<p><b>Amphenol</b> Amphenol Australia Pty.Ltd,                  2 Fiveways Blvd, Keysborough, VIC 3173</p>	
LINEAR	ANGULAR														
X ± 0.5	X° ± 1														
X.X ± 0.1	X.X° ± 30°														
X.XX ± 0.05	X.XX° ± 15°														
<p>MATERIAL:  <b>SEE COMPONENTS</b></p>		<p>DRN: T.N</p>	<p>DATE: 24/06/08</p>	<p>TITLE:  <b>XLR MALE PLUG                  AX SERIES                  CUSTOMER DRAWING</b></p>		<p>PART No:  <b>SEE P/No BREAKDOWN</b></p>									
<p>BREAK ALL SHARP EDGES AND REMOVE ALL BURRS</p>		<p>CKD: P.M</p>	<p>DATE: 22/12/08</p>	<p>DRAWING NO. <b>55010534-000-2</b> SHEET <b>2/2</b></p>											
<p>DO NOT SCALE</p>		<p>APP'D: P.M</p>	<p>DATE: 22/12/08</p>	<p>CAD FILE: 55010534000210</p>											
<p>DIMENSIONS IN MILLIMETRES</p>		<p>THIRD ANGLE PROJECTION</p>		<p>SCALE: <b>1:1</b></p>	<p>SIZE: <b>A4</b></p>										