

## 2J6A02B

2.4/5.0 GHz ISM Screw Mount

### Key Features

#### 2.4/5.0 GHz ISM

- 2410-2490 MHz
- 4920-5925 MHz

Screw Mount

Anti-Rotation Mechanism

Ground Plane Independent

Customizable Cable and Connector

IP67, IK09, IP69K

Dimensions Ø 77.3 × 65.5 mm



**Note:** Antenna is isolated from ground plane to provide common mode surge protection up to 6kV



## 1. Antenna and electrical specifications

Parameters	2.4/5.0 GHz ISM Antenna	
<b>Standards</b>	WiFi, BT, ZigBee, ISM	
<b>Band (MHz)</b>	2.4 GHz	5.0 GHz
<b>Frequency (MHz)</b>	2410-2490	4920-5925
<b>Return Loss (dB)</b>	~-11.3	~-12.4
<b>VSWR</b>	~1.8:1	~1.8:1
<b>Efficiency (%)</b>	~50.5	~48
<b>Peak Gain (dBi)</b>	~2.6	~4.4
<b>Average Gain (dB)</b>	~-3.0	~-3.2
<b>Impedance (Ohm)</b>	50	
<b>Polarisation</b>	Linear	
<b>Radiation Pattern</b>	Omni-Directional	
<b>Max. Input Power (W)</b>	25	
<b>Connector Type</b>	SMA-Male Standard (Other Connectors Available)	
<b>Cable Length</b>	300 cm Standard (Any Cable Length Available)	
<b>Cable Type</b>	LMR195 Standard (Other Cables Available)	

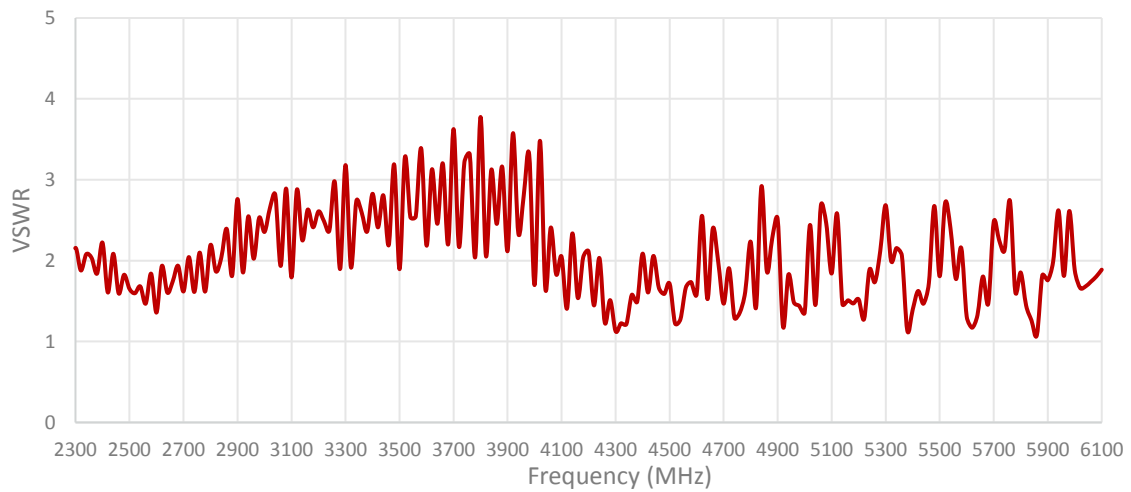
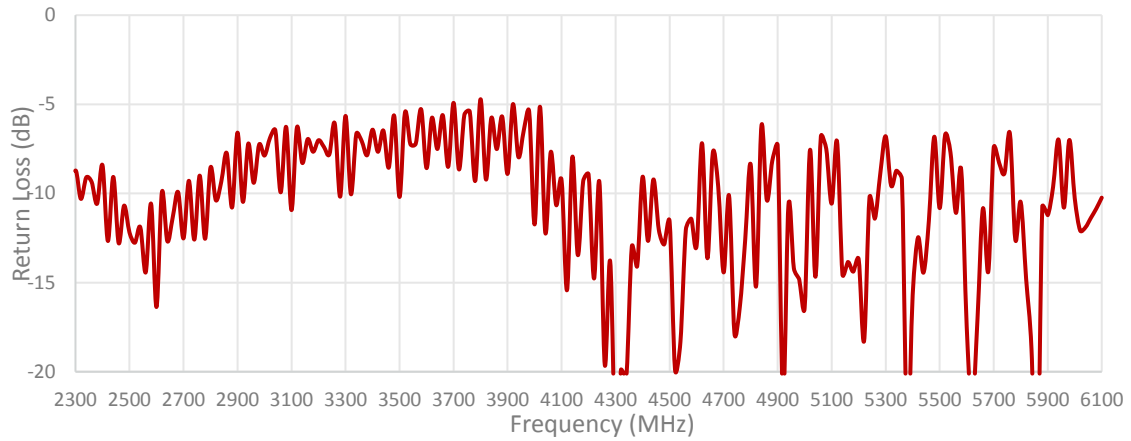
### Antenna Measurement Conditions:

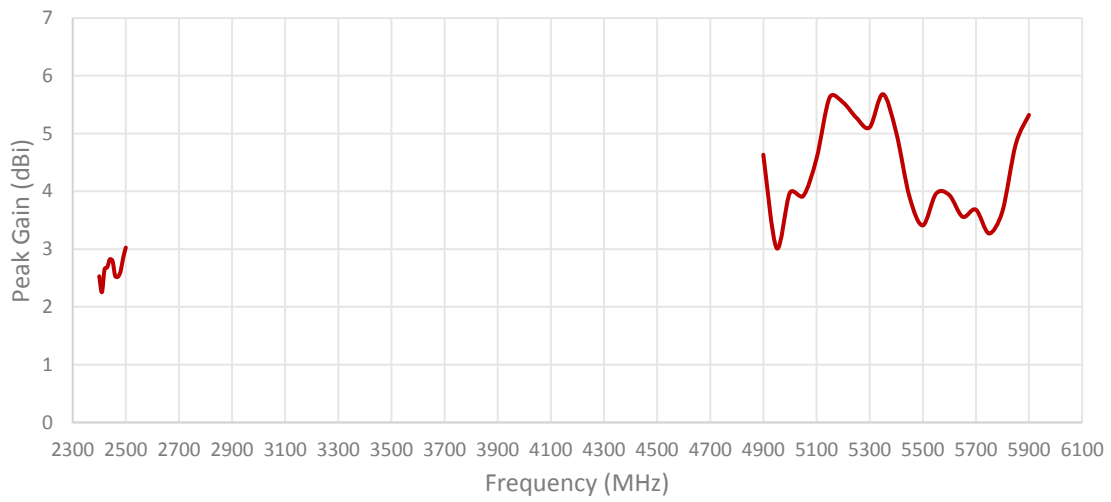
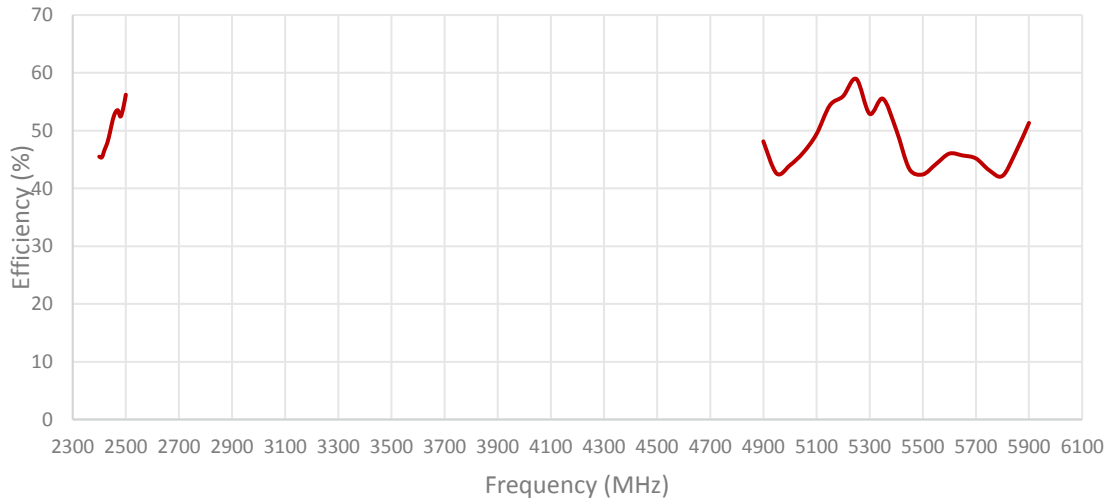
Mounted on Metal Plate of 30 x 30 cm  
 200 cm of Cable LMR195  
 Measured in Certified CTIA 3D Anechoic Chamber

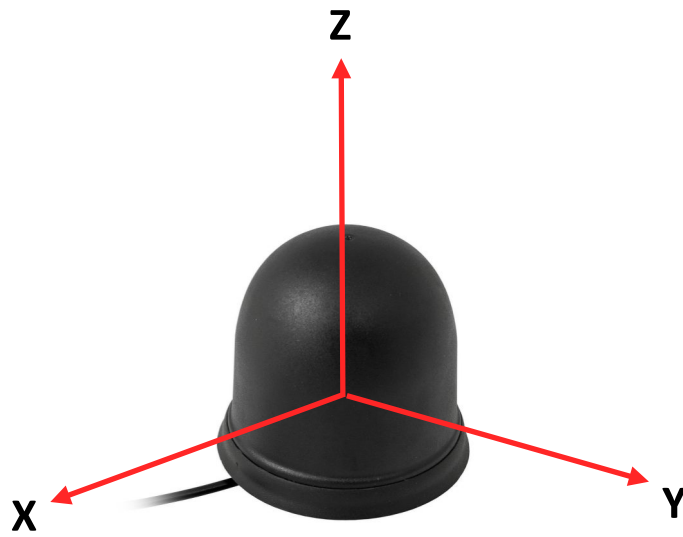
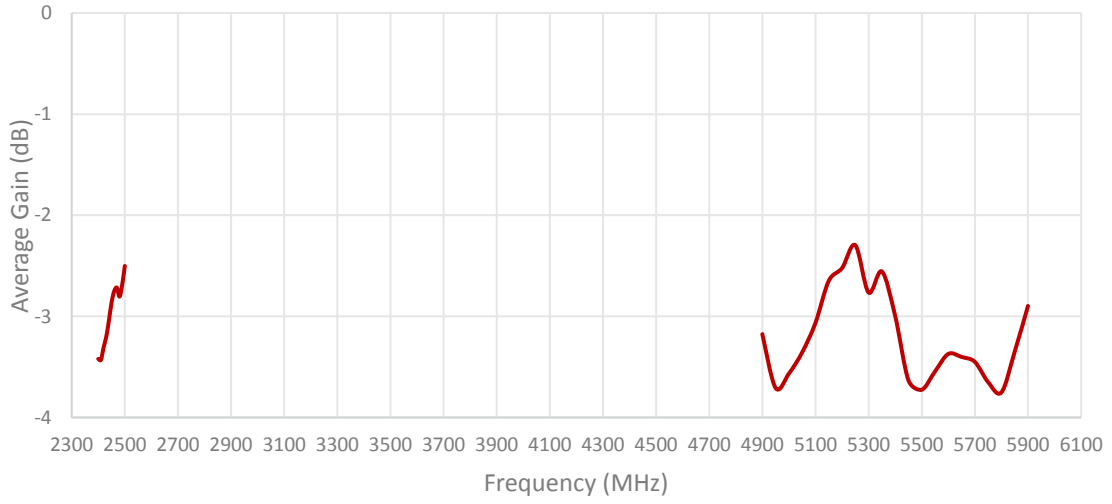
## 2. Mechanical and environmental specifications

Specifications	2J6A02B
<b>Mounting Type</b>	Screw Mount
<b>Dimensions (mm)</b>	Ø 77.3 × 65.5
<b>Radome</b>	ASA
<b>Radome color</b>	Black or White
<b>Antenna Base</b>	Zamak
<b>Gasket</b>	TPE
<b>Operating Temperature (C)</b>	-40 to +85
<b>Storage Temperature (C)</b>	-40 to +85
<b>Substance Compliance</b>	RoHS
<b>Certificates</b>	IP67, IK09, IP69K

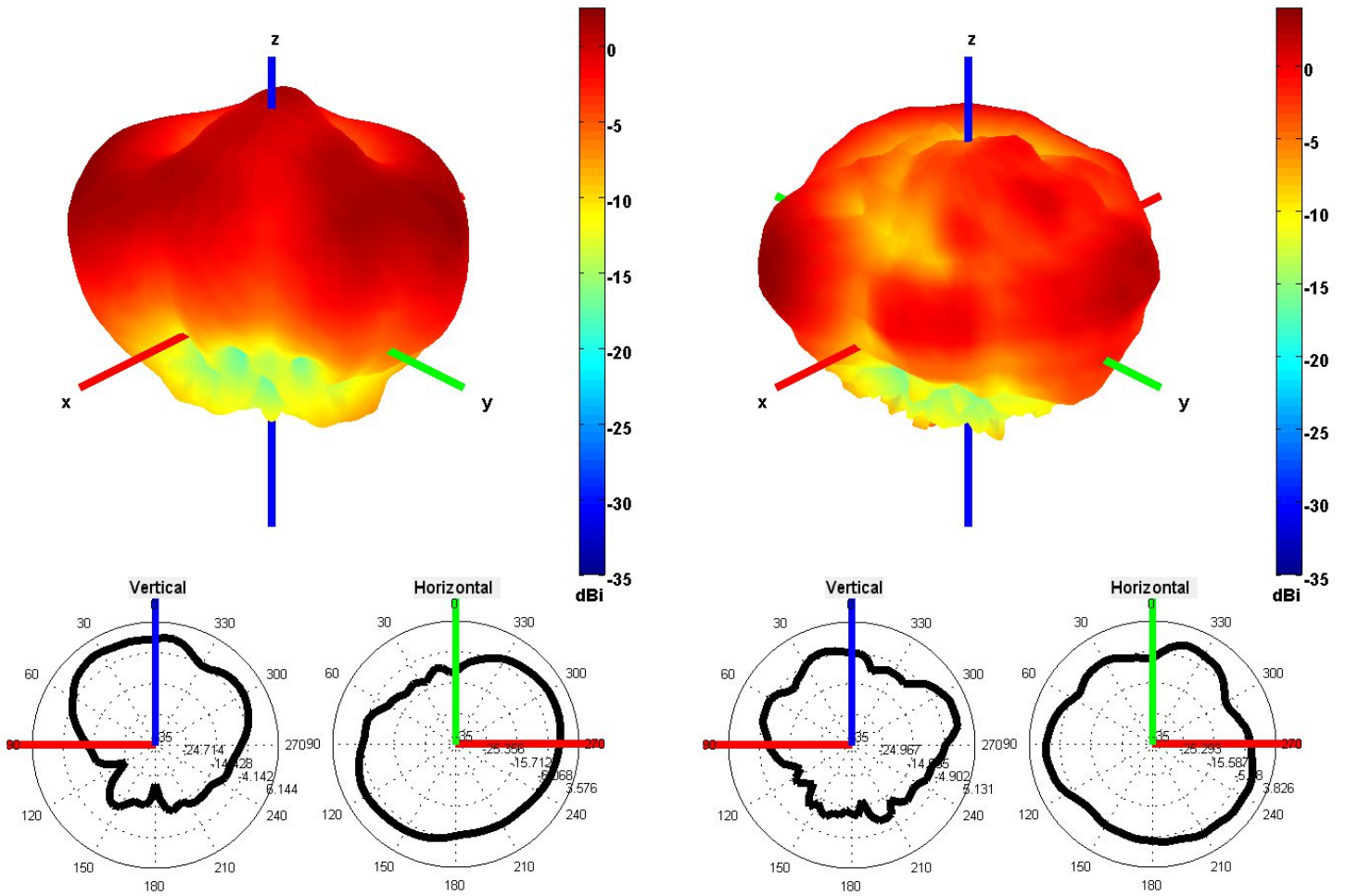
### 3. Antenna parameters





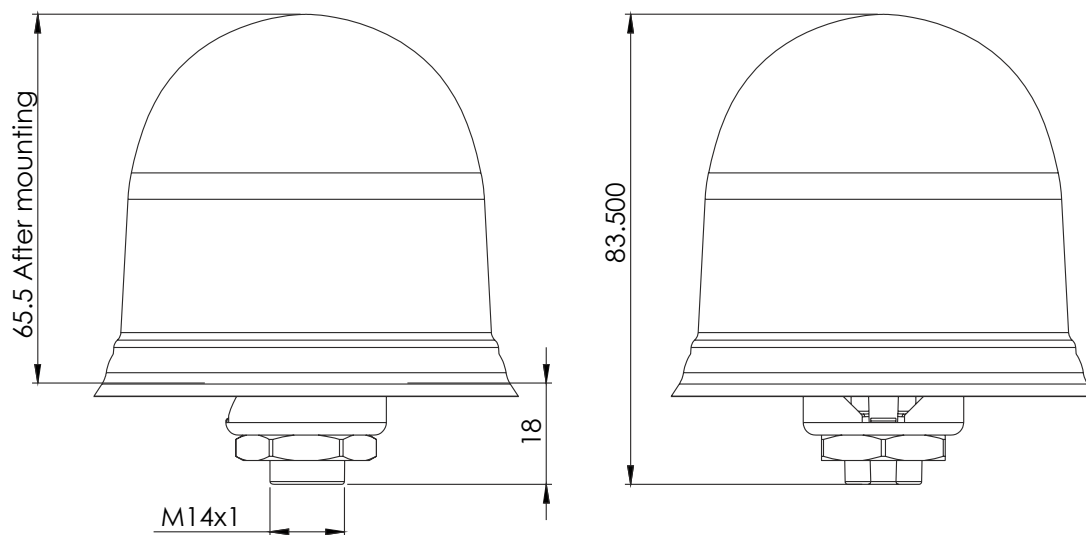
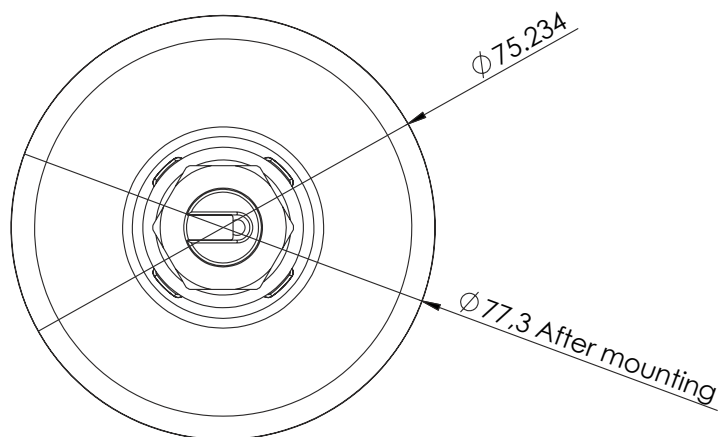


Radiation pattern reference



2450 and 5500 MHz Radiation pattern

## 4. Antenna drawings



## 5. Antenna Images

