

EARPHONE / MICROPHONE JACK EPJ0 SERIES

■ FEATURES

- Smallest size and lightest weights design
- Accept an earphone/microphone combination with a remote transmission/reception function for successful hand-free operation
- All materials are UL 94V-0 grade fire retardant plastics

■ SPECIFICATIONS

- Contact rating: 12 VDC, 1A
- Temperature rating:
Operating temperature range: -20°C ~+70°C
Storage temperature range: -25°C ~+50°C (below 85%RH)

■ APPLICATIONS

- Ideal for cellular phones, PDA equipments, MP3, Handsfree appliance, Translator digital cameras, etc..

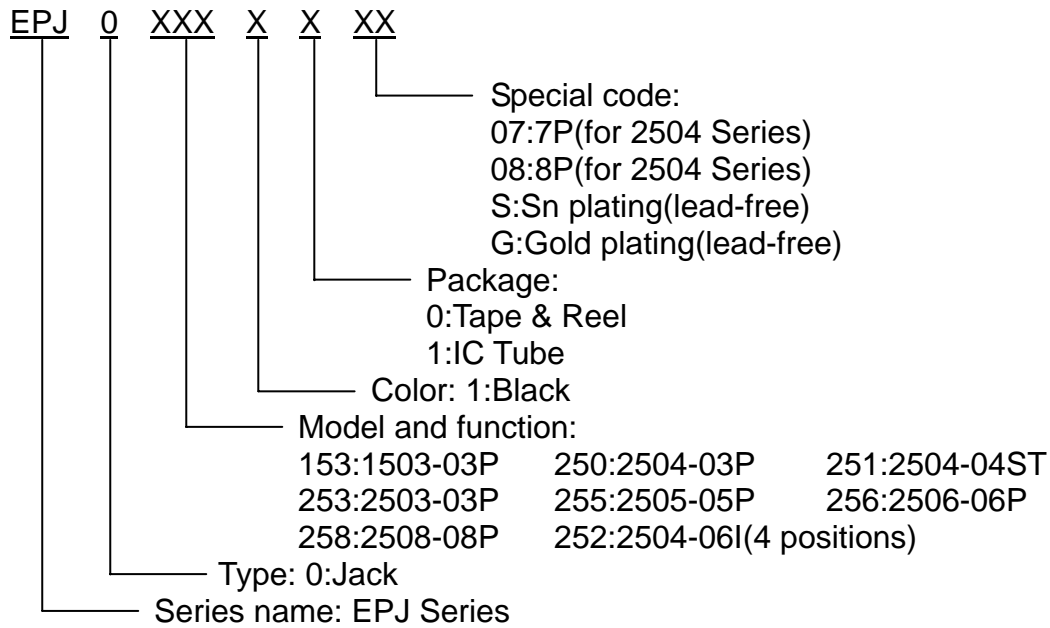
1. Electrical

No.	Test description	Requirement	Test method
1	Insulation resistance	100M Ω Min.	(1)Test voltage: 250VDC \pm 10VDC (2)Point: Between open contact.
2	Dielectric strength	No disruptive discharge Leakage current: 2mA Max.	(1)Test voltage: 250VAC (2)Duration: 60sec. (3)Point: Between open contact.
3	Contact resistance	Initial: 30m Ω Max. After life: 100m Ω Max.	(1)Test voltage: 20mV (2)Test current: 1mA

2. Mechanical

No.	Test description	Requirement	Test method
1	Mating/unmating force	0.3~3.0Kgf (3~30N) Max.	To measure necessary for plug and jack mating/unmating
2	Terminal strength	Any outstanding damage shall not be found. Bend of terminal is acceptable.	Test condition: 0.5kgf(5N) 10sec.
3	Contact strength	The contact strength of fix/main terminal shall be accepted.	Test condition: 50gf(0.5N) Min.
4	Contact gap	To measure the gap between non-contact to plug.	0.1mm Min.

■ PART NUMBERING SYSTEM



■ DIMENSIONS

EPJ015310



EPJ025310



EPJ025010



EPJ025110



EPJ025210



EPJ025510



EPJ025610



EPJ02501007



EPJ025810



EPJ02511008

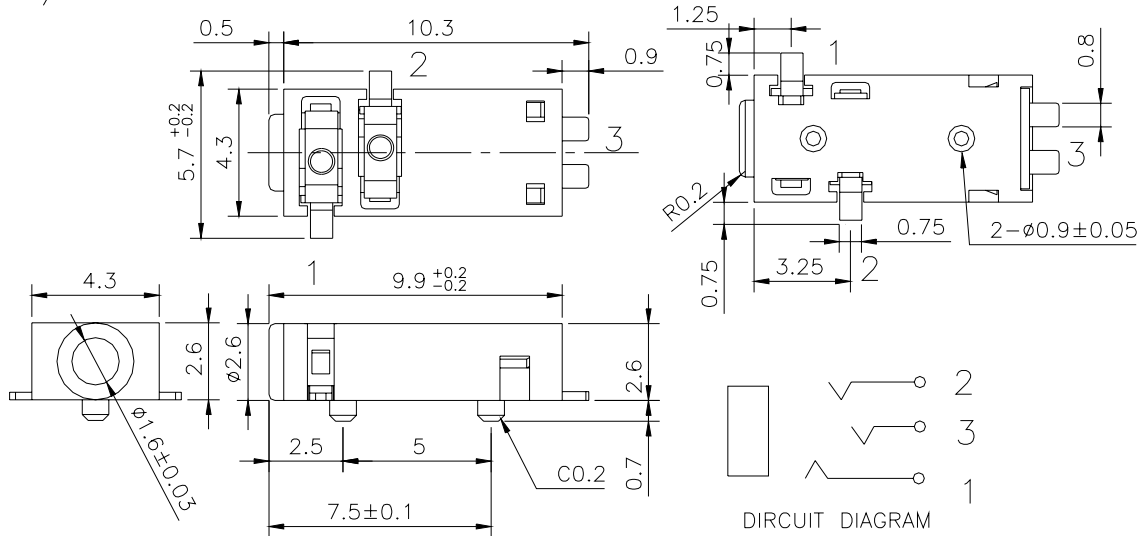


EPJ02521008



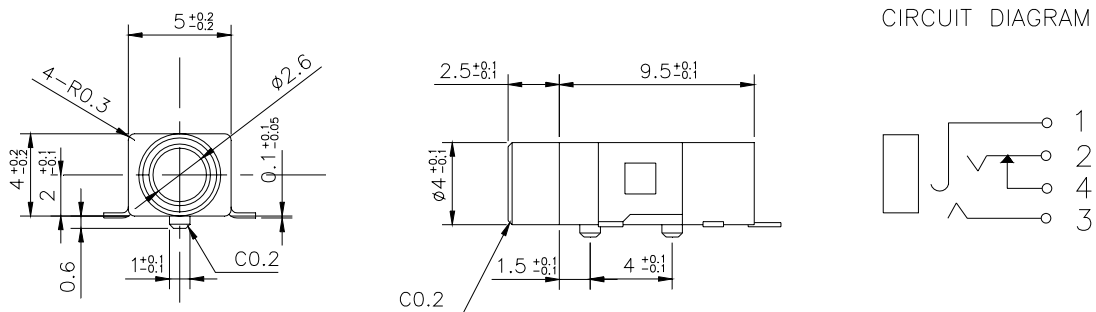
◆ **φ 1.5mm 3 Positions**

DIMENSION UNIT:mm
P/N.:EPJ015310

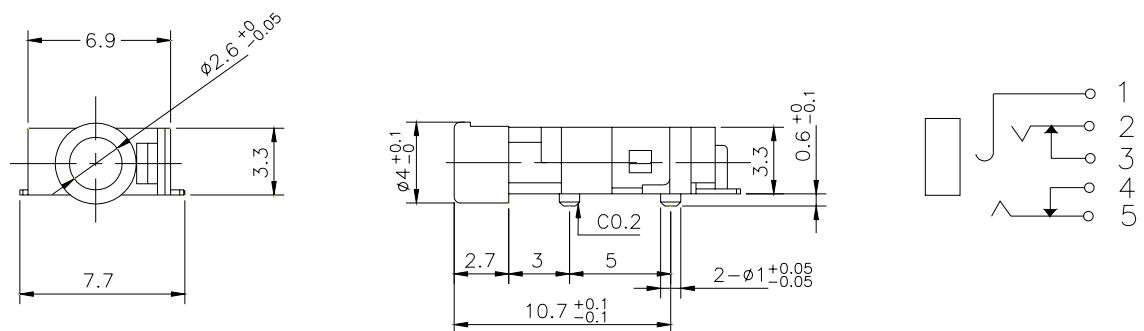


◆ **φ 2.5mm 3 Positions**

DIMENSIONS UNIT:mm
P/N.:EPJ025310

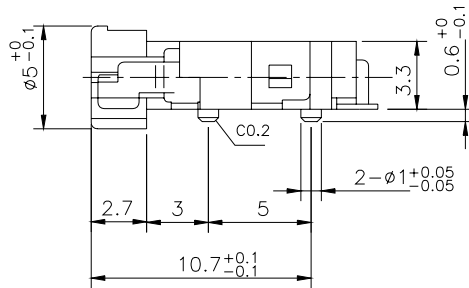
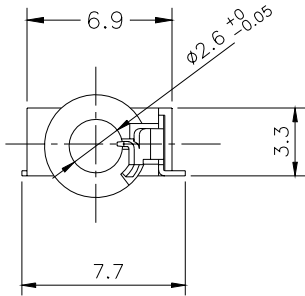


DIMENSIONS UNIT:mm
P/N.:EPJ025010

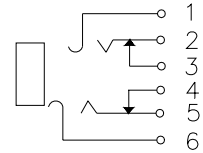


◆ ϕ 2.5mm 4 Positions

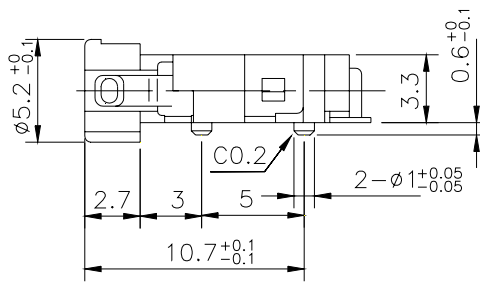
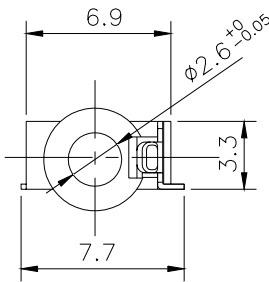
DIMENSIONS UNIT:mm
P/N.:EPJ025110



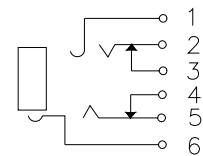
CIRCUIT DIAGRAM



DIMENSIONS UNIT:mm
P/N.:EPJ025210

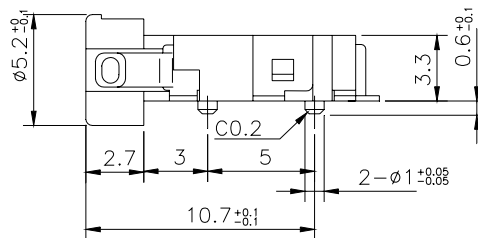
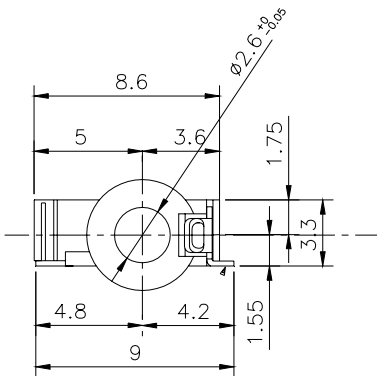


CIRCUIT DIAGRAM

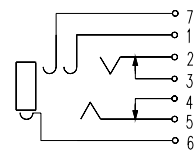


◆ ϕ 2.5mm 5 Positions

DIMENSIONS UNIT:mm
P/N.:EPJ025510

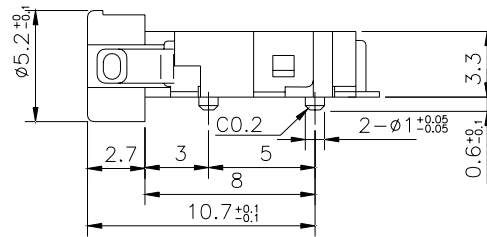
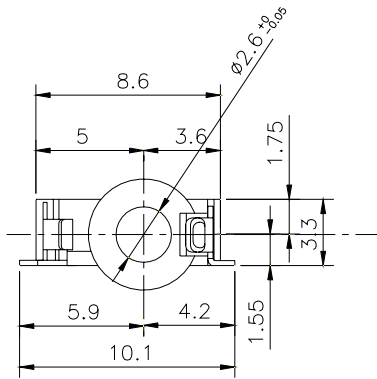


CIRCUIT DIAGRAM

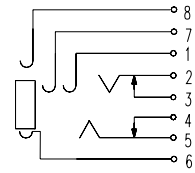


◆ **φ 2.5mm 6 Positions**

DIMENSIONS UNIT:mm
P/N.:EPJ025610

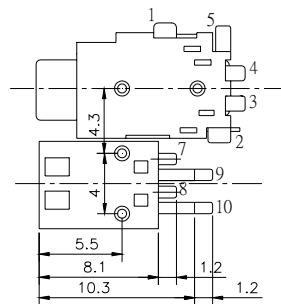
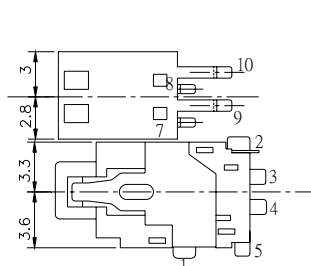
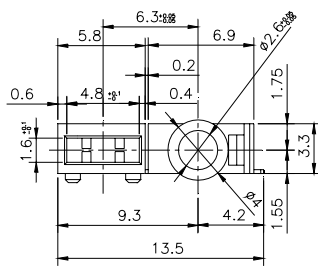


CIRCUIT DIAGRAM

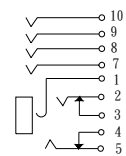


◆ **φ 2.5mm 7 Positions**

DIMENSIONS UNIT:mm
P/N.:EPJ02501007

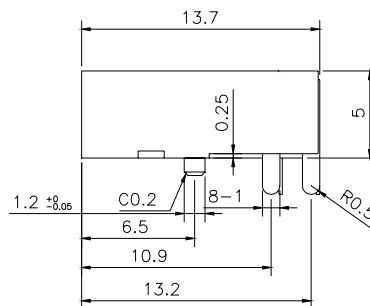
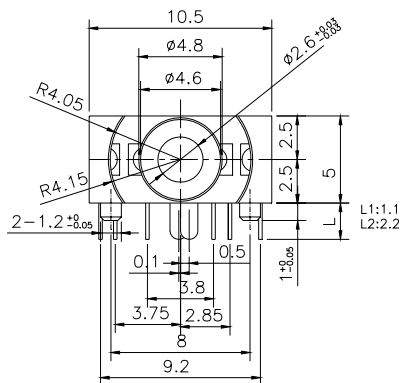


CIRCUIT DIAGRAM

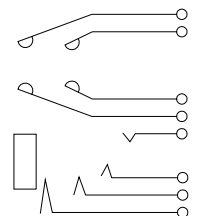


◆ **φ 2.5mm 8 Positions**

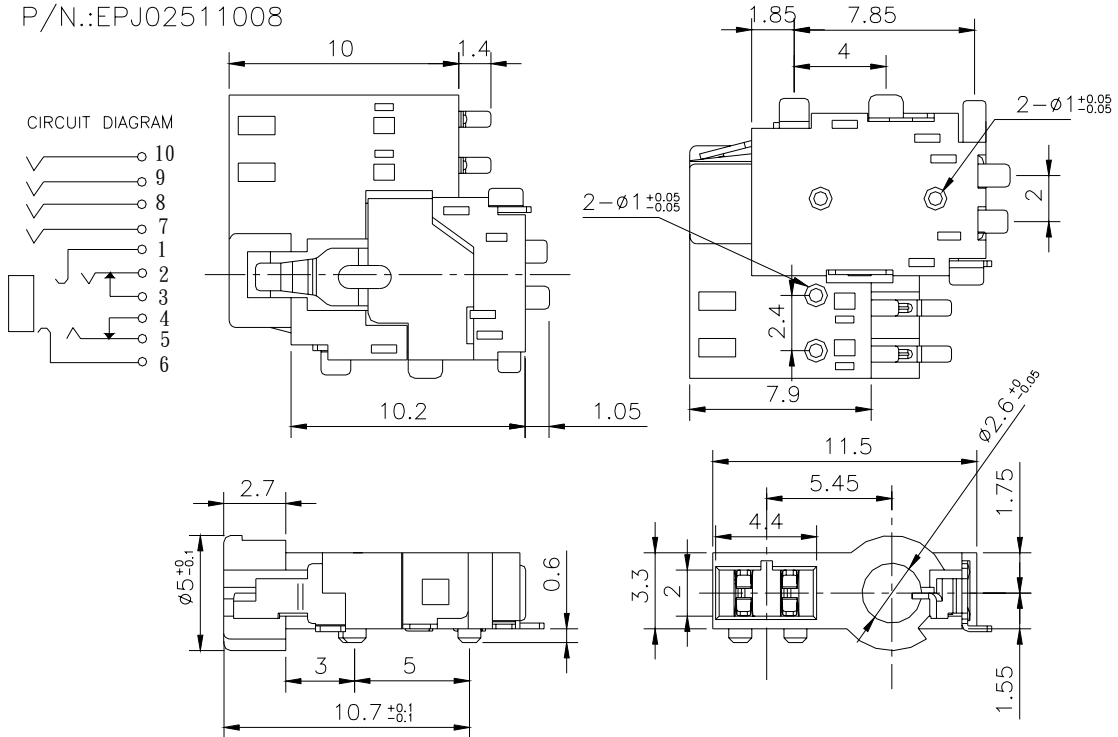
DIMENSIONS UNIT:mm
P/N.:EPJ025810



CIRCUIT DIAGRAM



DIMENSIONS UNIT:mm
P/N.:EPJ02511008



DIMENSIONS UNIT:mm
P/N.:EPJ02521008

